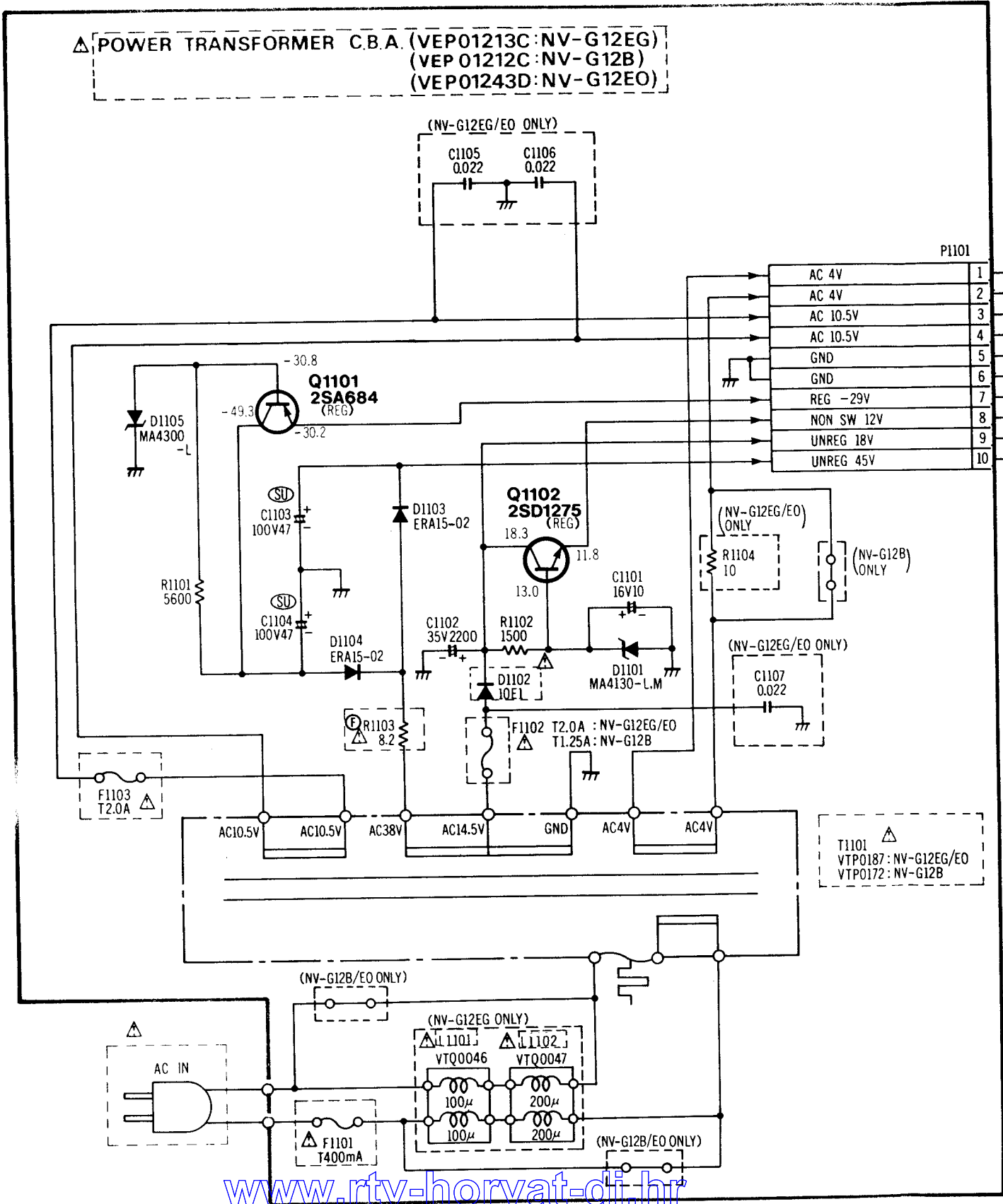


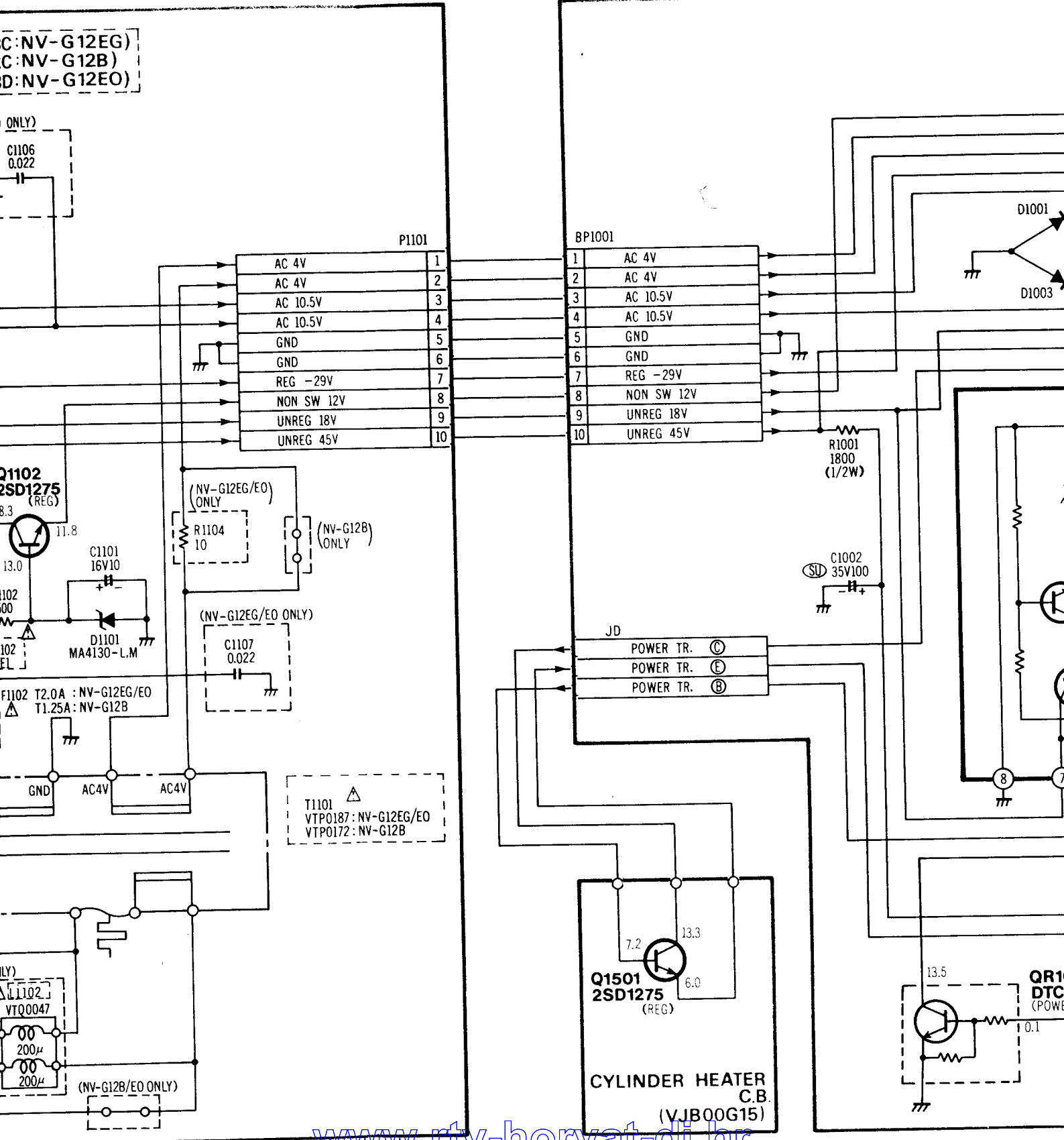
3-4. POWER SUPPLY SCHEMATIC DIAGRAM




www.rtv-horvat-dj.hr

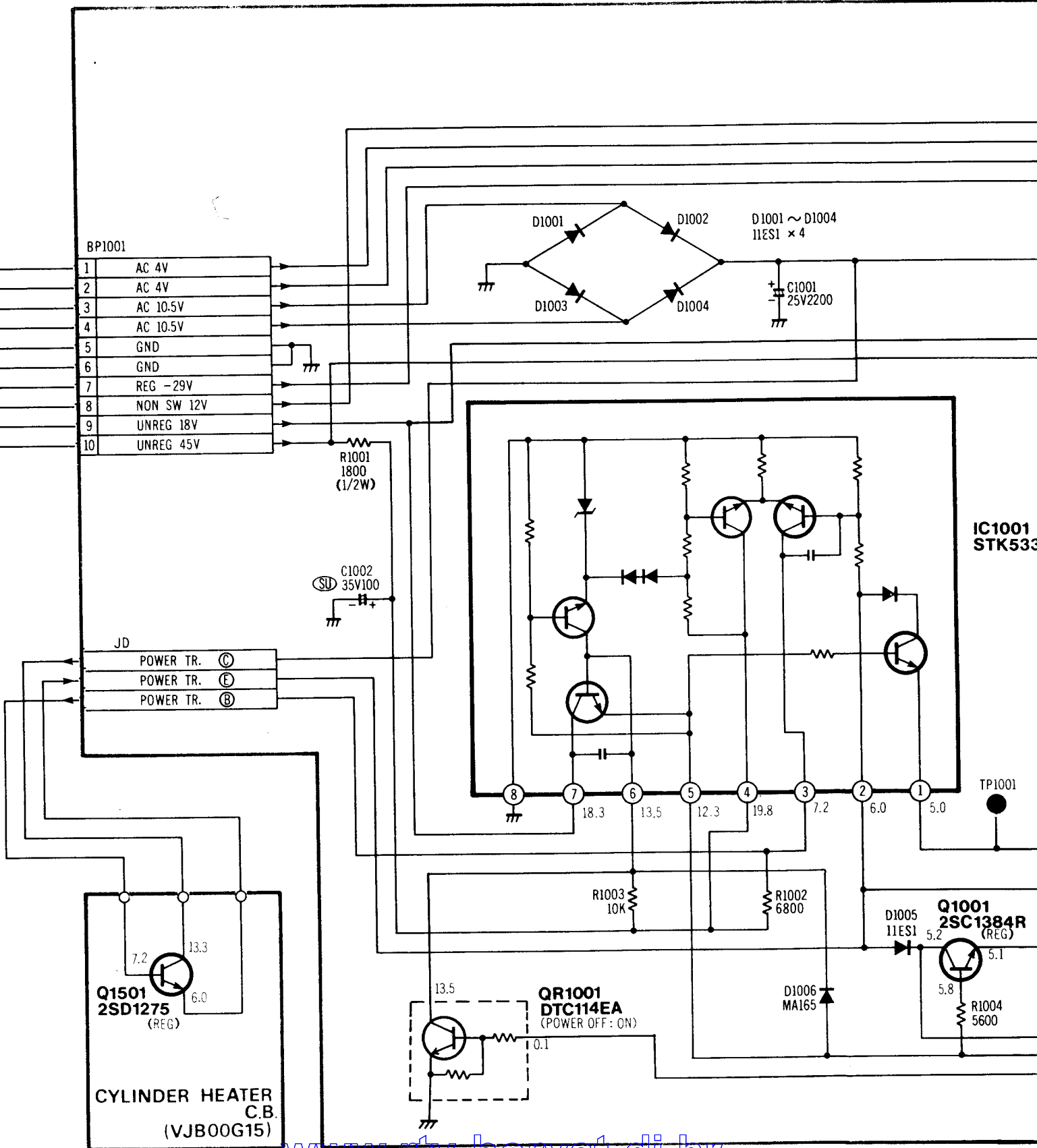
NOTE: THE MEASUREMENT MODE OF THE DC VOLTAGE ON TH

DIAGRAM



NOTE: THE MEASUREMENT MODE OF THE DC VOLTAGE ON THIS DIAGRAM IS STOP MODE.

IMPORTANT SAFETY NOTICE:
 COMPONENTS IDENTIFIED WITH THE MARK  HAVE THE SPECIAL
 WHEN REPLACING ANY OF THESE COMPONENTS. USE ONLY THE S

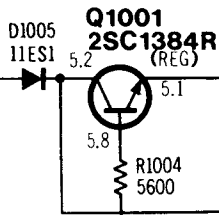
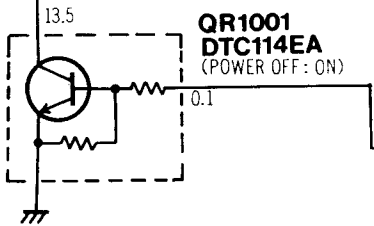
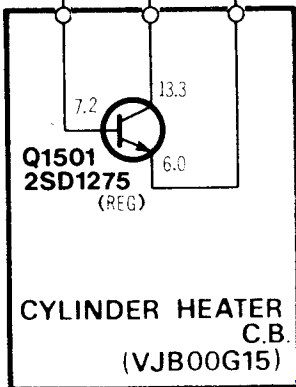


BP1001

1	AC 4V
2	AC 4V
3	AC 10.5V
4	AC 10.5V
5	GND
6	GND
7	REG -29V
8	NON SW 12V
9	UNREG 18V
10	UNREG 45V

JD

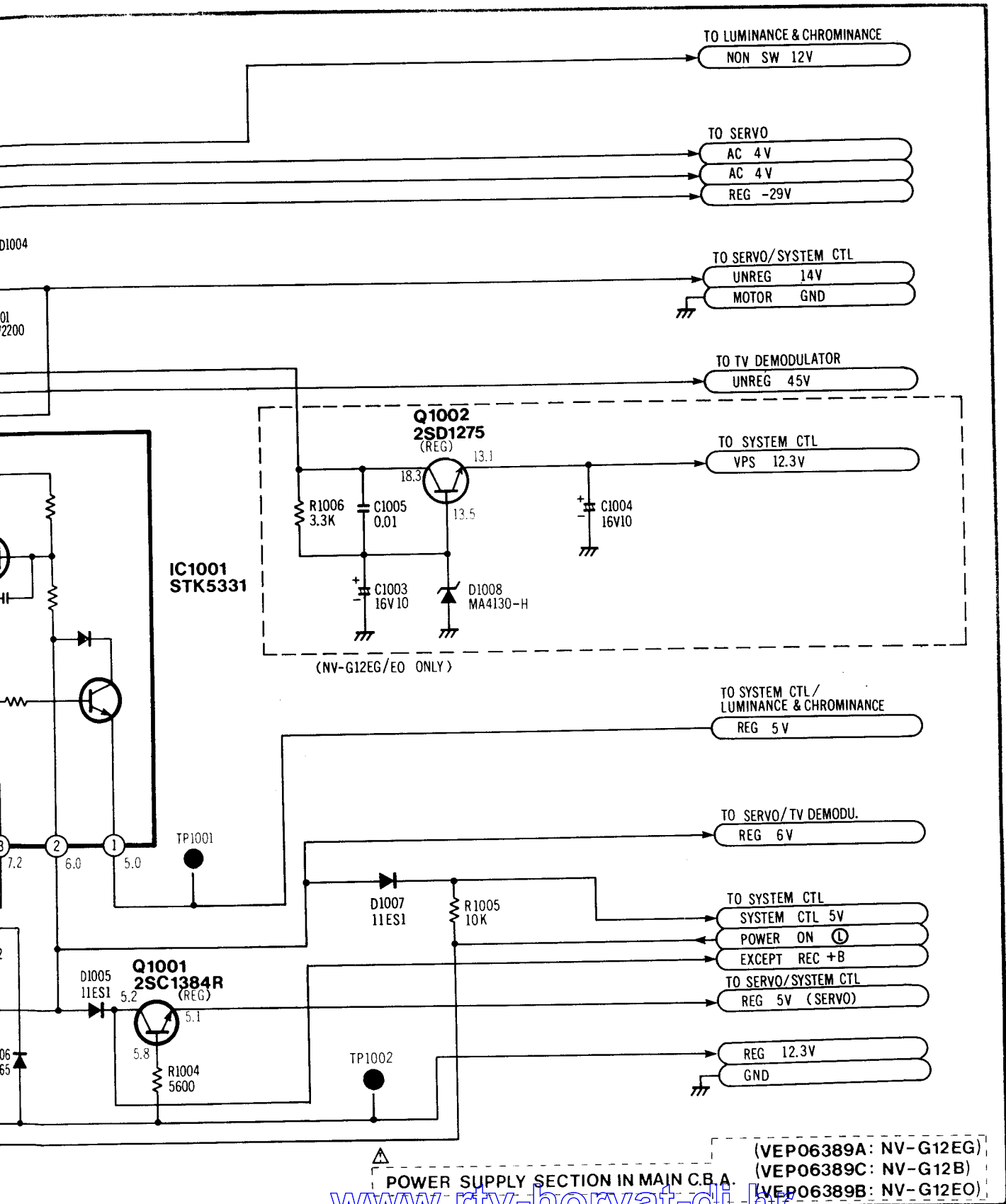
POWER TR.	(C)
POWER TR.	(E)
POWER TR.	(B)



THIS DIAGRAM IS STOP MODE.

IMPORTANT SAFETY NOTICE:
COMPONENTS IDENTIFIED WITH THE MARK Δ HAVE THE SPECIAL CHARACTERISTICS FOR SAFETY.
WHEN REPLACING ANY OF THESE COMPONENTS. USE ONLY THE SAME TYPE.

NOTE: DO NOT USE THE PART NUMBER
IF THE CORRECT PART NUMBER IS
SLIGHTLY DIFFERENT OR AN

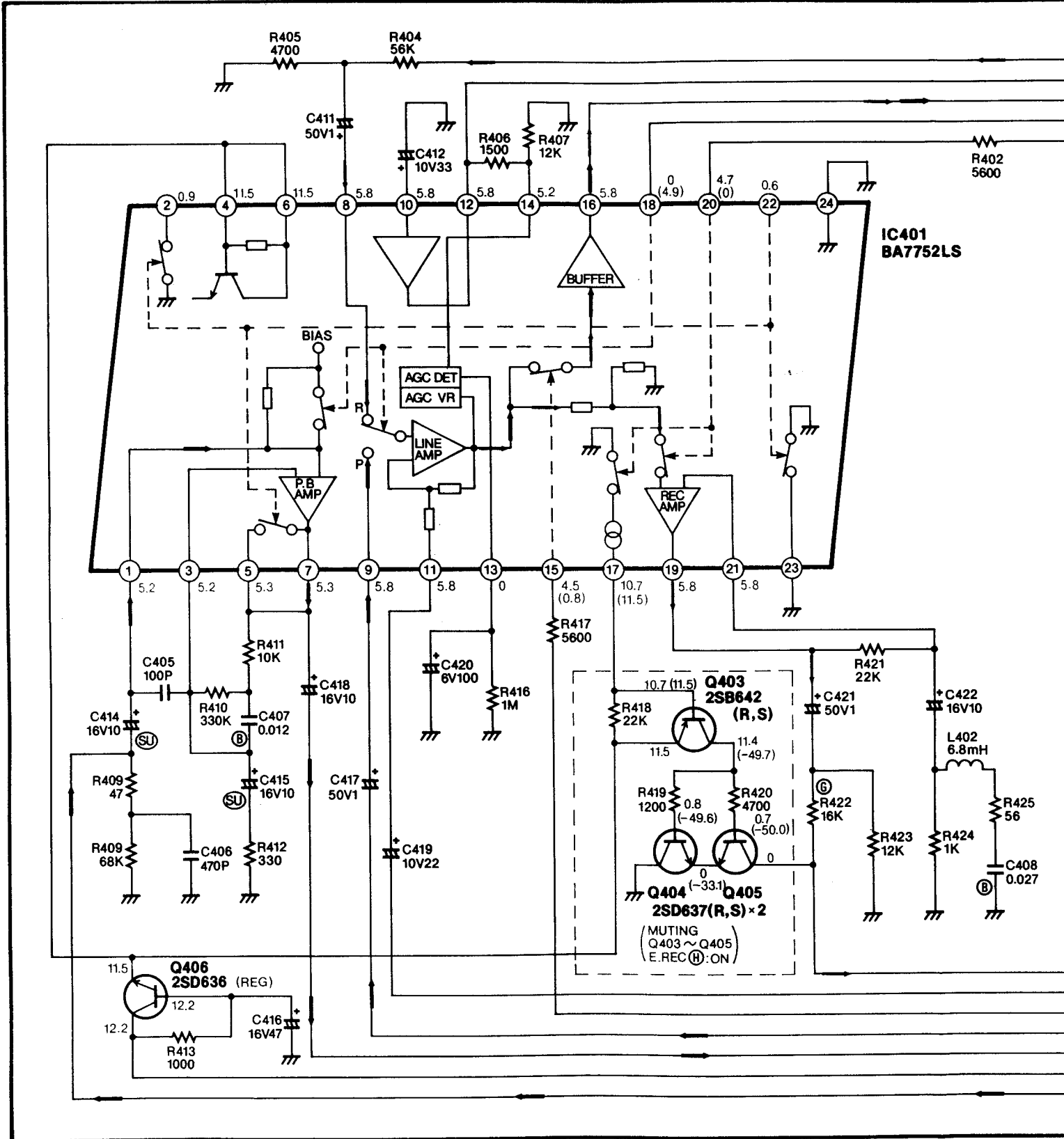


www.rtv-horvat-dj.hr

NOTE: DO NOT USE THE PART NUMBER SHOWN ON THIS DRAWING FOR ORDERING.
THE CORRECT PART NUMBER IS SHOWN IN THE PARTS LIST, AND MAY BE

3-21. AUDIO SCHEMATIC DIAGRAM

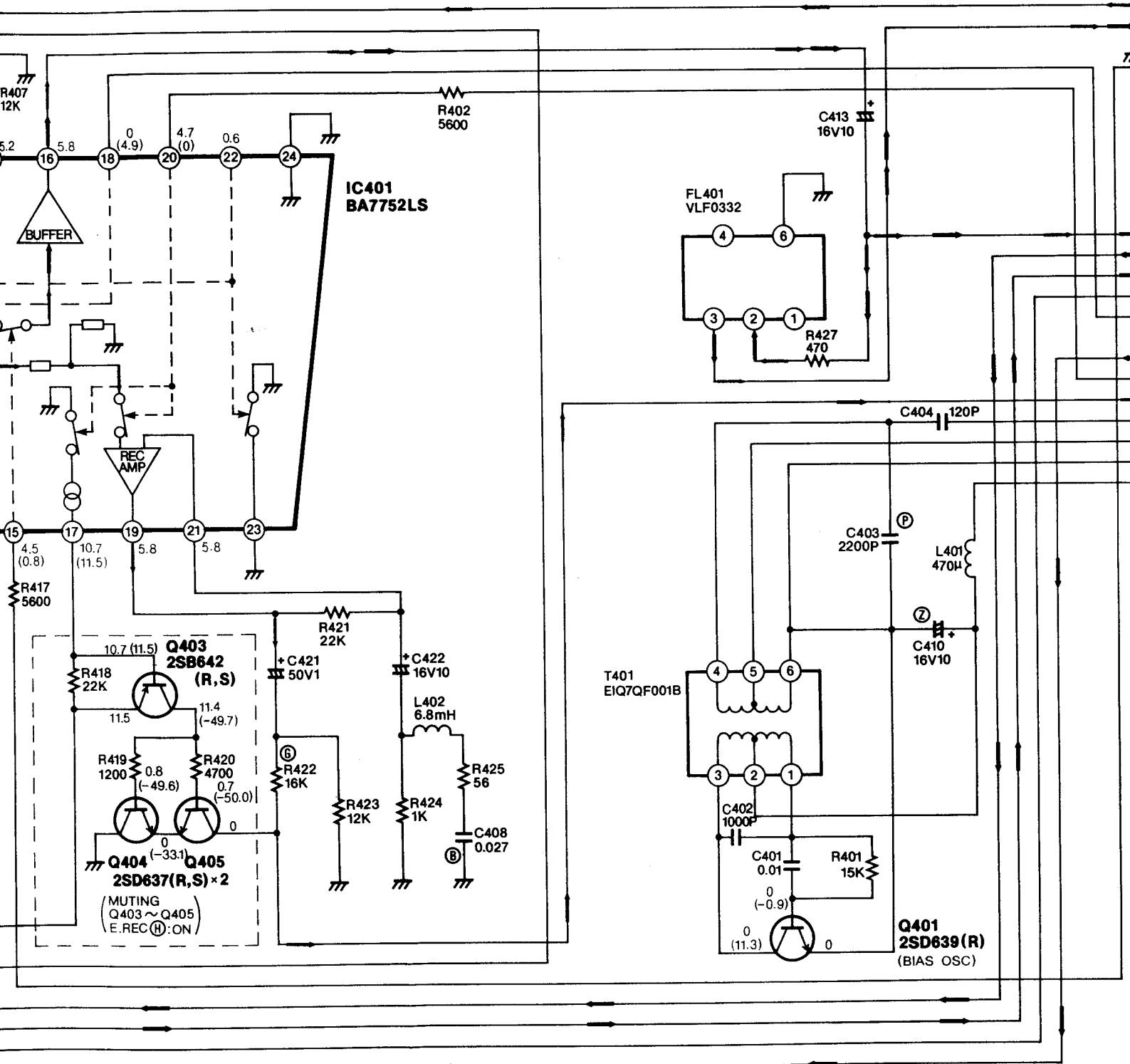
← MAIN SIGNAL PATH IN REC MODE →



NOTE: DO NOT USE THE PART NUMBER SHOWN ON THIS DRAWING FOR ORDER. THE CORRECT PART NUMBER IS SHOWN IN THE PARTS LIST, AND MAY BE SLIGHTLY DIFFERENT OR AMENDED SINCE THIS DRAWING WAS PREPARED.

← MAIN SIGNAL PATH IN REC MODE

← MAIN SIGNAL PATH IN PLAYBACK MODE

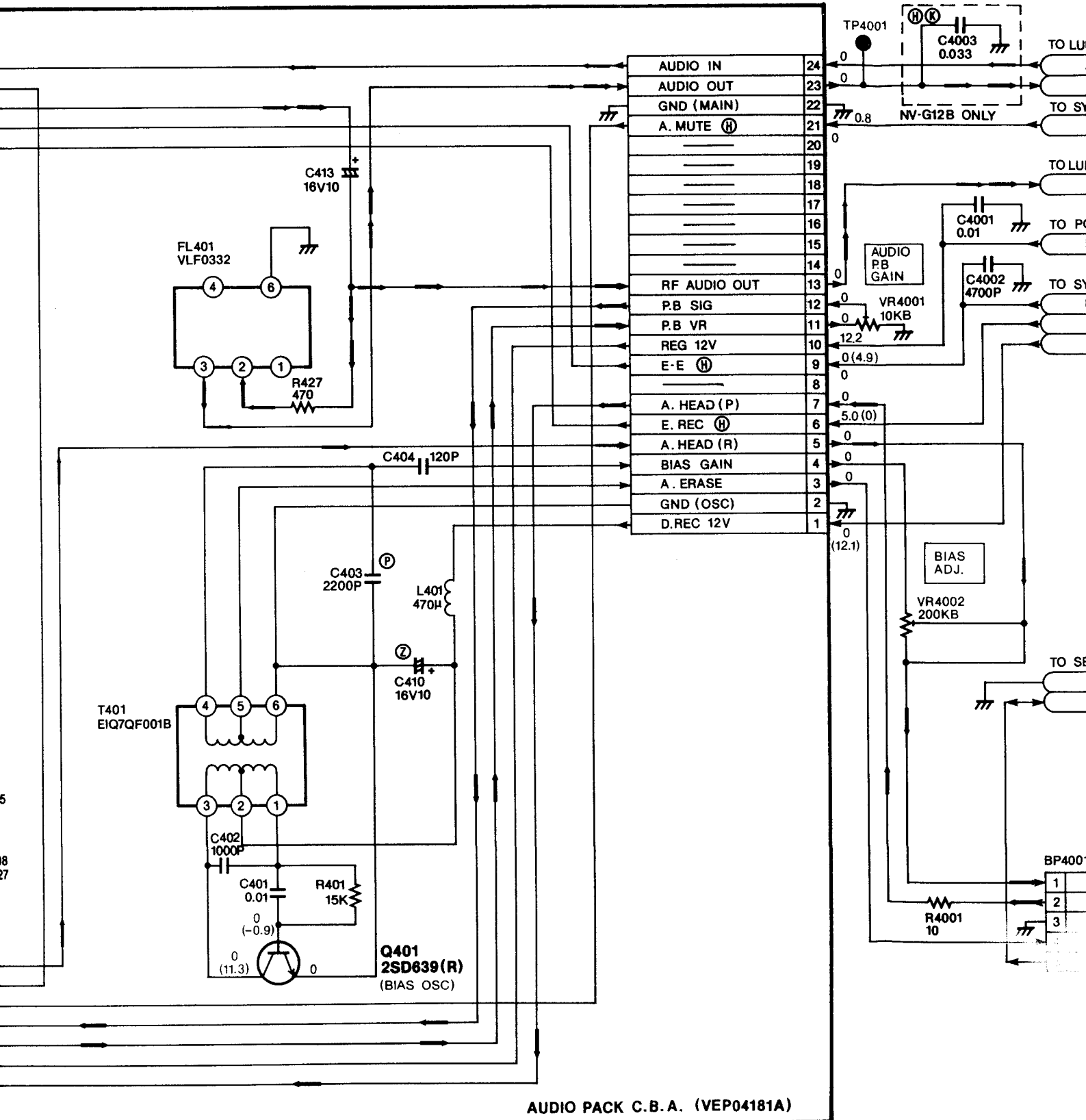


AUDIO PA

NOTE: DO NOT USE THE PART NUMBER SHOWN ON THIS DRAWING FOR ORDERING. THE CORRECT PART NUMBER IS SHOWN IN THE PARTS LIST AND MAY BE SLIGHTLY DIFFERENT OR AMENDED SINCE THIS DRAWING WAS PREPARED.

NOTE: THE MEASUREMENT MODE OF THE DC VOLTAGE IN THE BRACKETS () WITH 1 kHz, 0dB SINE WAVE SIGNAL. THE MEASUREMENT MODE OF THE DC VOLTAGE OUT OF THE BRACKETS () WITH 1 kHz, 0dB SINE WAVE SIGNAL.

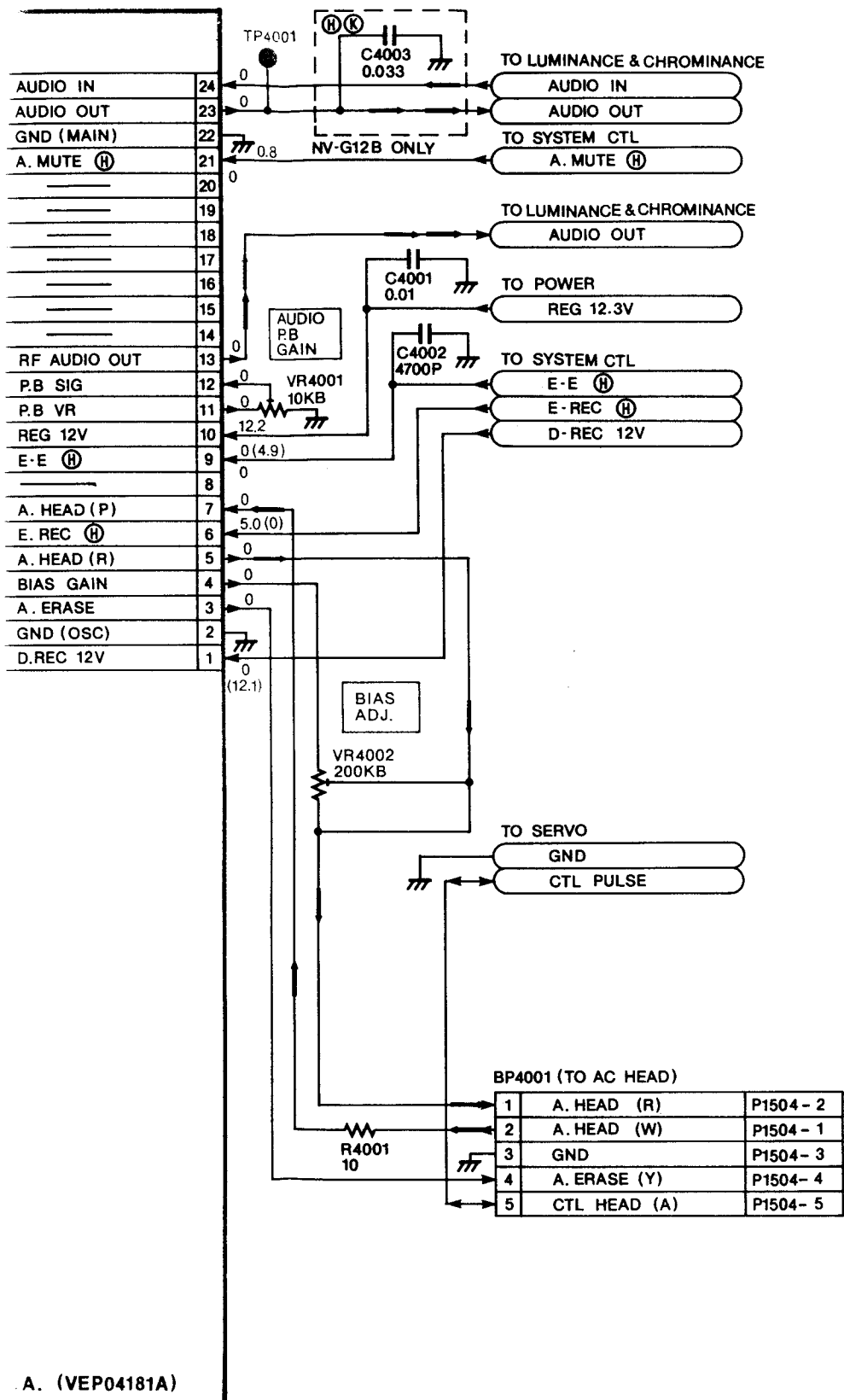
← MAIN SIGNAL PATH IN PLAYBACK MODE



AUDIO PACK C.B.A. (VEP04181A)

NOTE: THE MEASUREMENT MODE OF THE DC VOLTAGE IN THE BRACKETS () ON THIS DIAGRAM IS RECORD MODE WITH 1kHz, 0dB SINE WAVE SIGNAL.
 THE MEASUREMENT MODE OF THE DC VOLTAGE OUT OF THE BRACKETS ON THIS DIAGRAM IS PLAYBACK MODE WITH 1kHz, 0dB SINE WAVE SIGNAL.

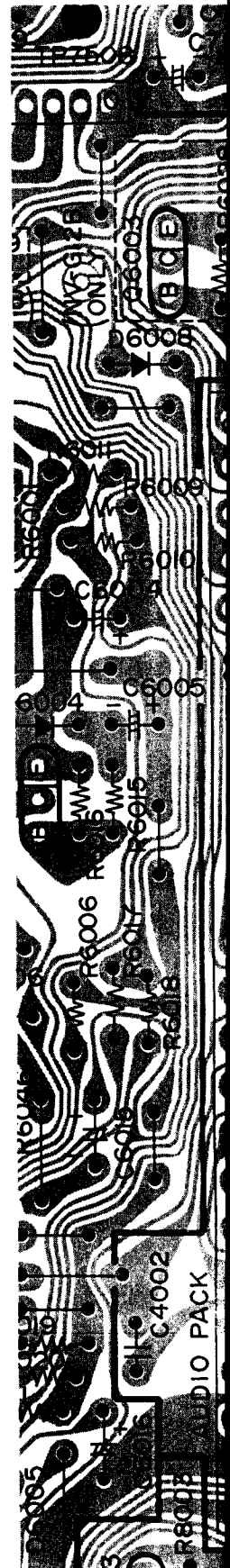
3-22. AUDIO (VEP0638)



A. (VEP04181A)

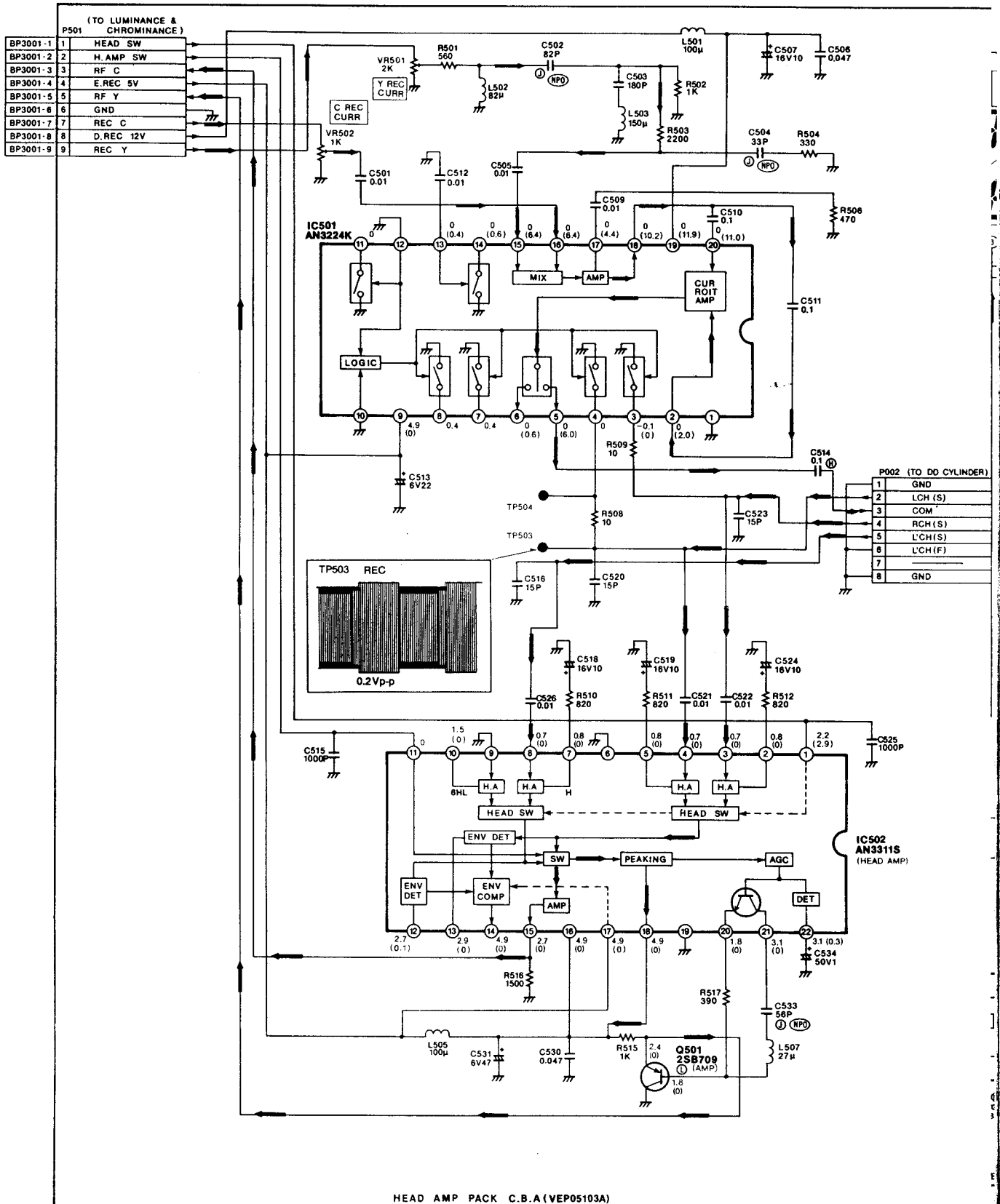
DIAGRAM IS RECORD MODE

DIAGRAM IS PLAYBACK MODE



3-24. HEAD AMP PACK SCHEMATIC DIAGRAM

← MAIN SIGNAL PATH IN REC MODE ← MAIN SIGNAL PATH IN PLAYB.



NOTE: DO NOT USE THE PART NUMBER SHOWN ON THIS DRAWING FOR ORDERING. THE CORRECT PART NUMBER IS SHOWN IN THE PARTS LIST, AND MAY BE SLIGHTLY DIFFERENT OR AMENDED SINCE THIS DRAWING WAS PREPARED.

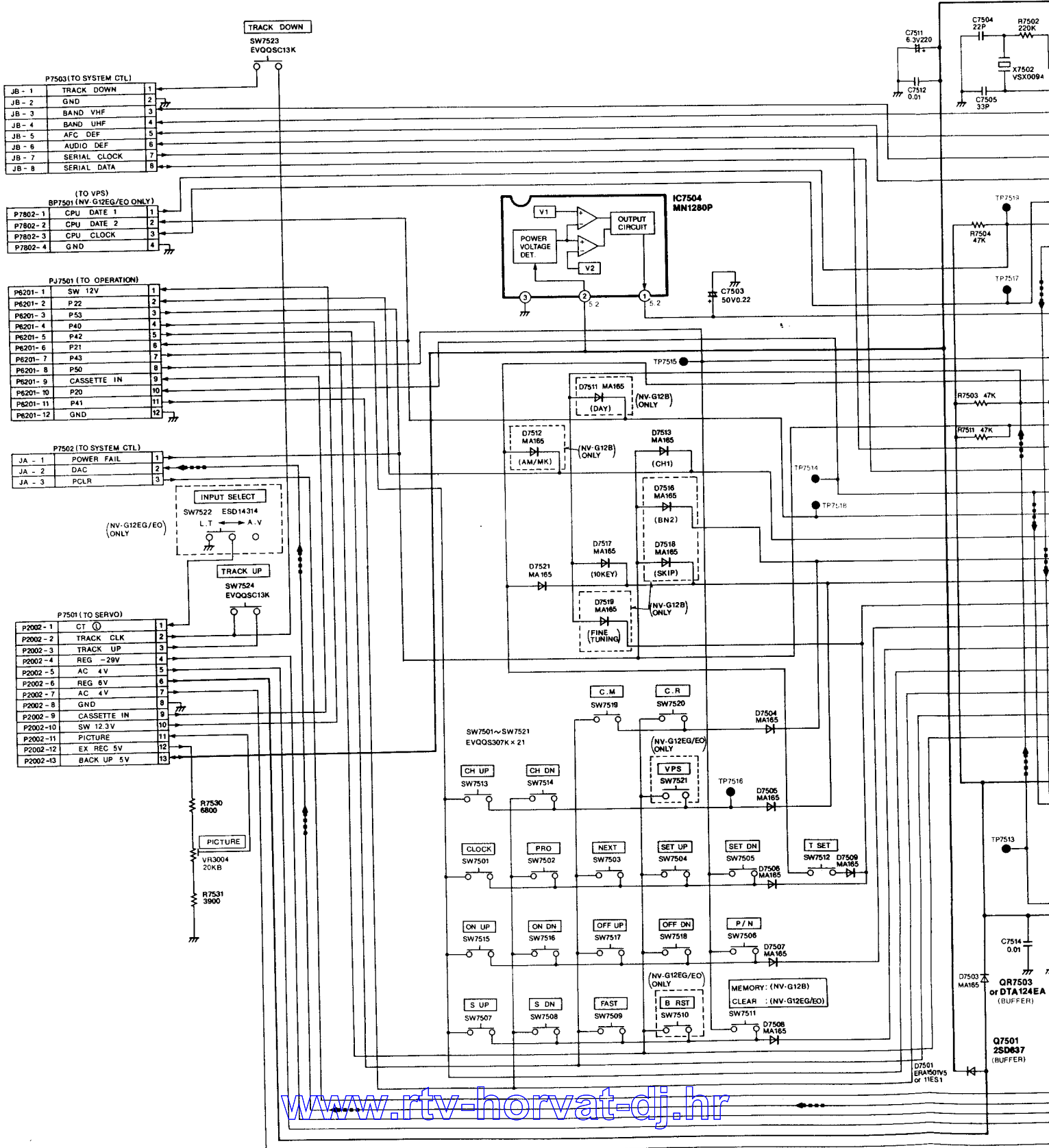
NOTE: THE MEASUREMENT MODE OF THE DC VOLTAGE IN THE BRACKETS () ON THIS DIAGRAM IS RECORD MODE WITH AIM THE CAMERA AT THE COLOUR CHART. THE MEASUREMENT MODE OF THE DC VOLTAGE OUT OF THE BRACKETS ON THIS DIAGRAM IS PLAYBACK MODE WITH PAL COLOUR SIGNAL.

Back Page:
AUDIO Section

3-28. TIMER SCHEMATIC DIAGRAM



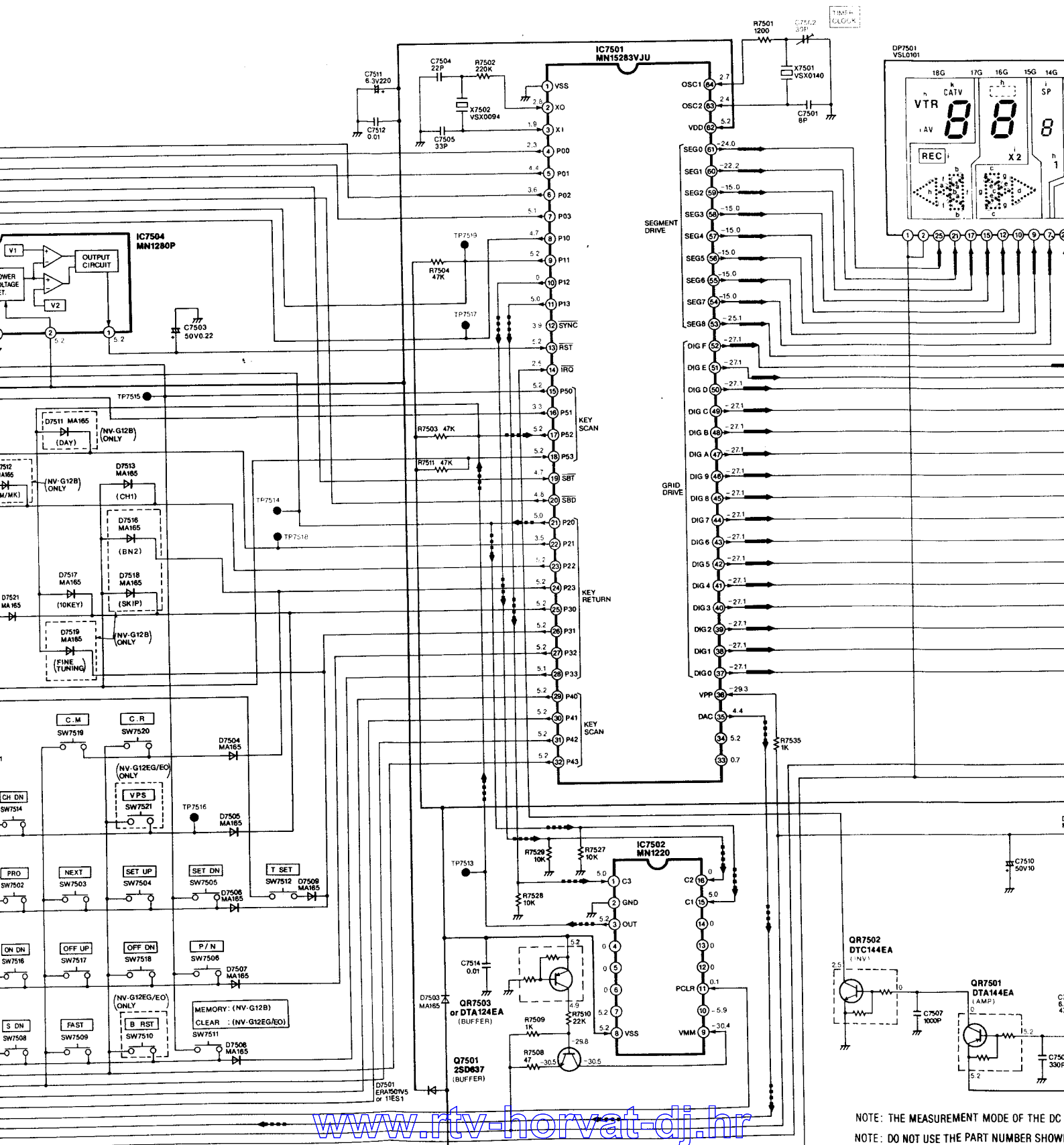
SEGMENT CONTROL SIGNAL



SEGMENT CONTROL SIGNAL

GRID CONTROL SIGNAL

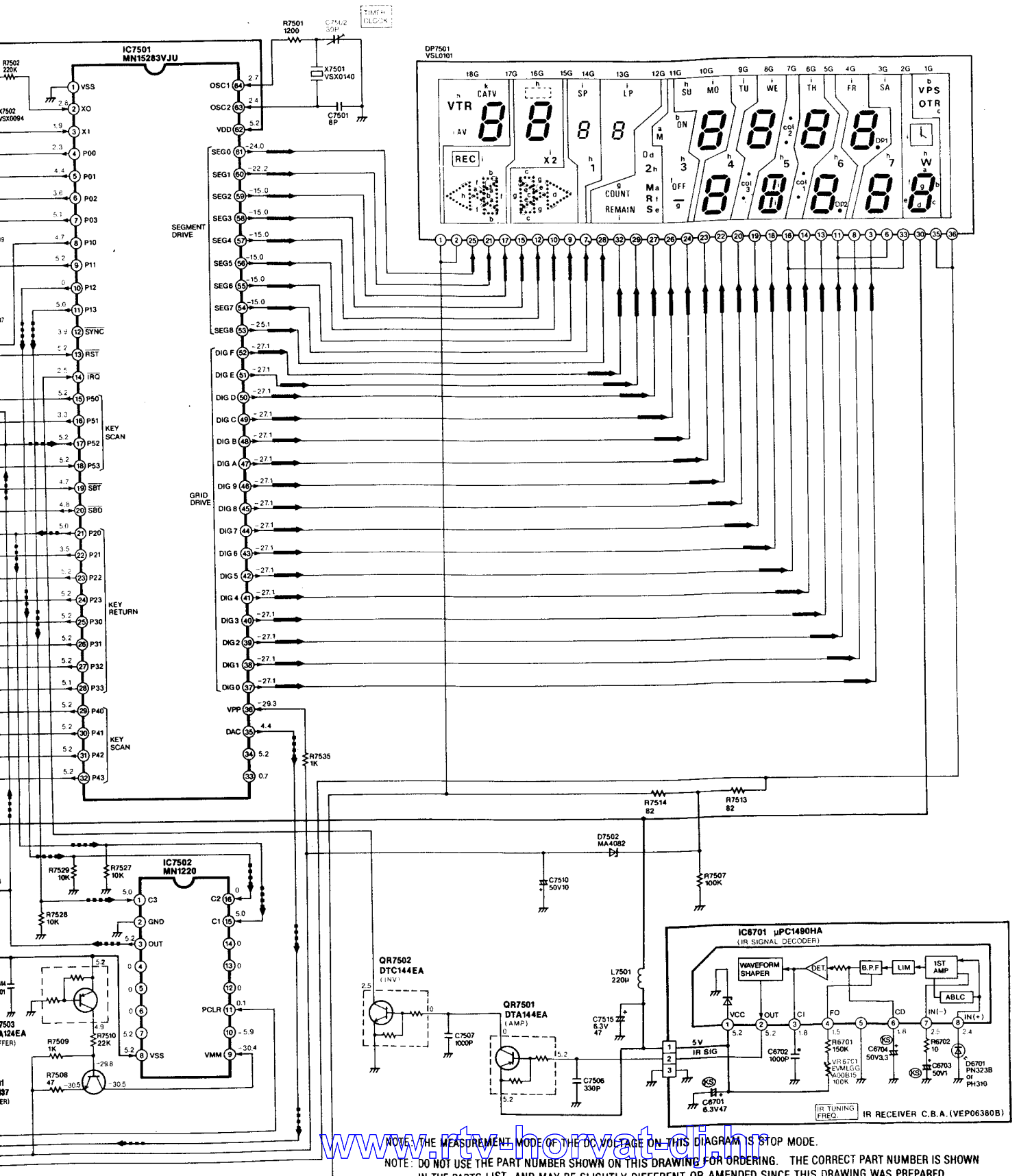
TUNE CONTROL SIGNAL



NOTE: THE MEASUREMENT MODE OF THE DC
 NOTE: DO NOT USE THE PART NUMBER SHOWN
 IN THE PARTS LIST, AND MAY BE SLIGHTLY

GRID CONTROL SIGNAL

TUNE CONTROL SIGNAL

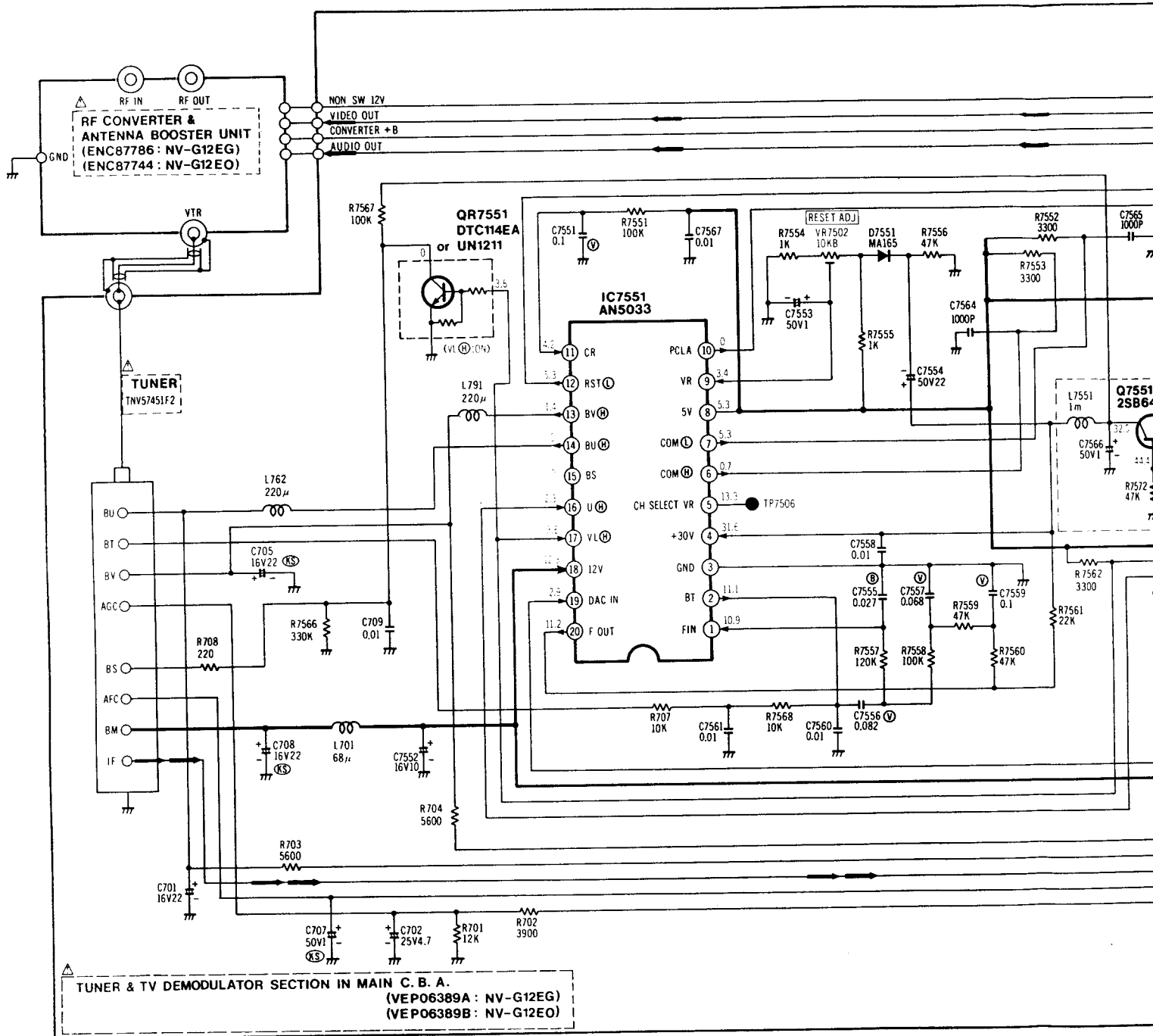


TIM
 REF
 MOD
 ST
 REF
 MOD
 ST
 REF
 MOD
 ST
 REF
 MOD
 ST
 REF
 MOD
 ST

TIM
 RE
 MO
 S

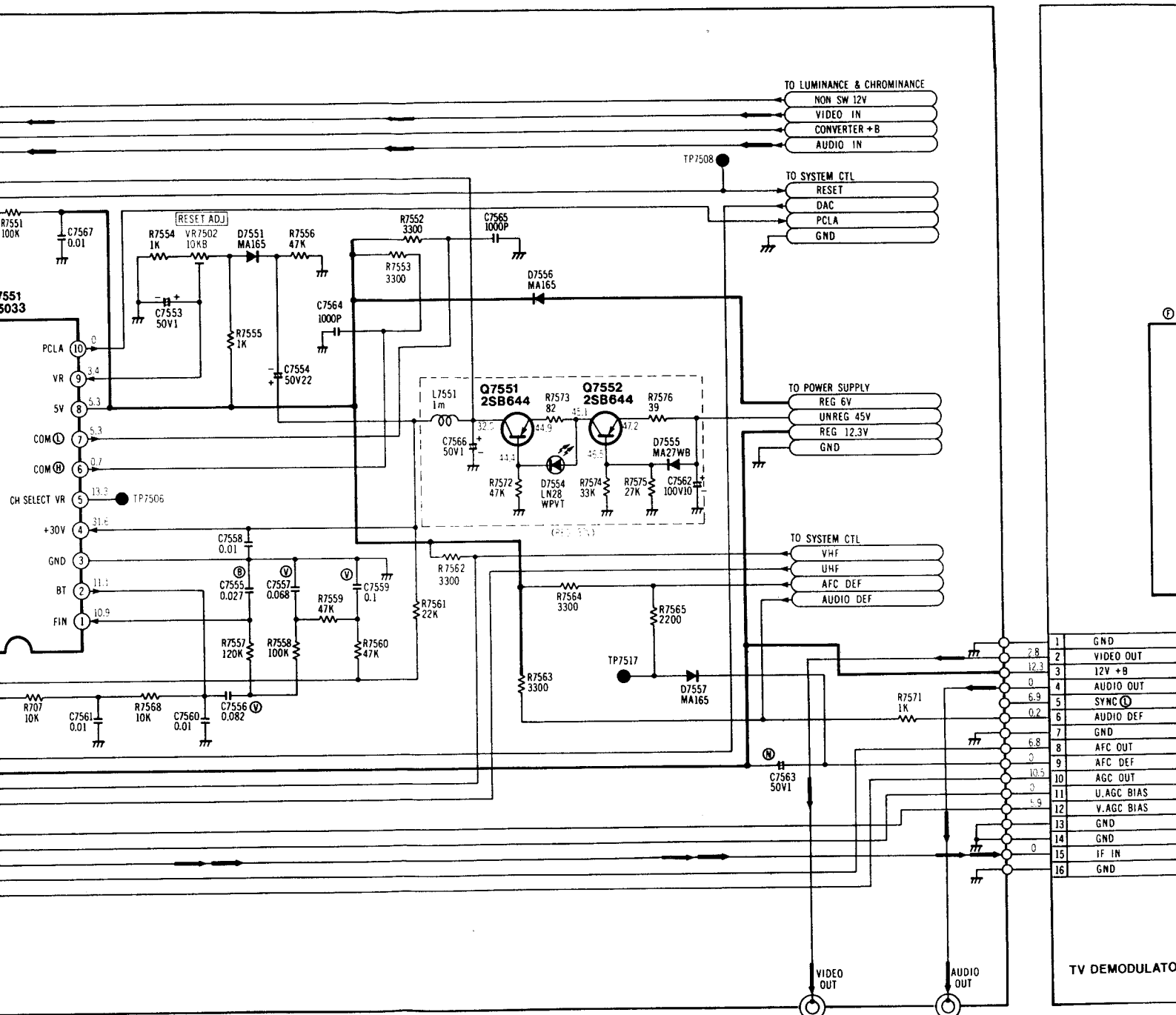
www.rtv-homeatv.com

3-30. TV DEMODULATOR SCHEMATIC DIAGRAM (NV-G12EG/EO)

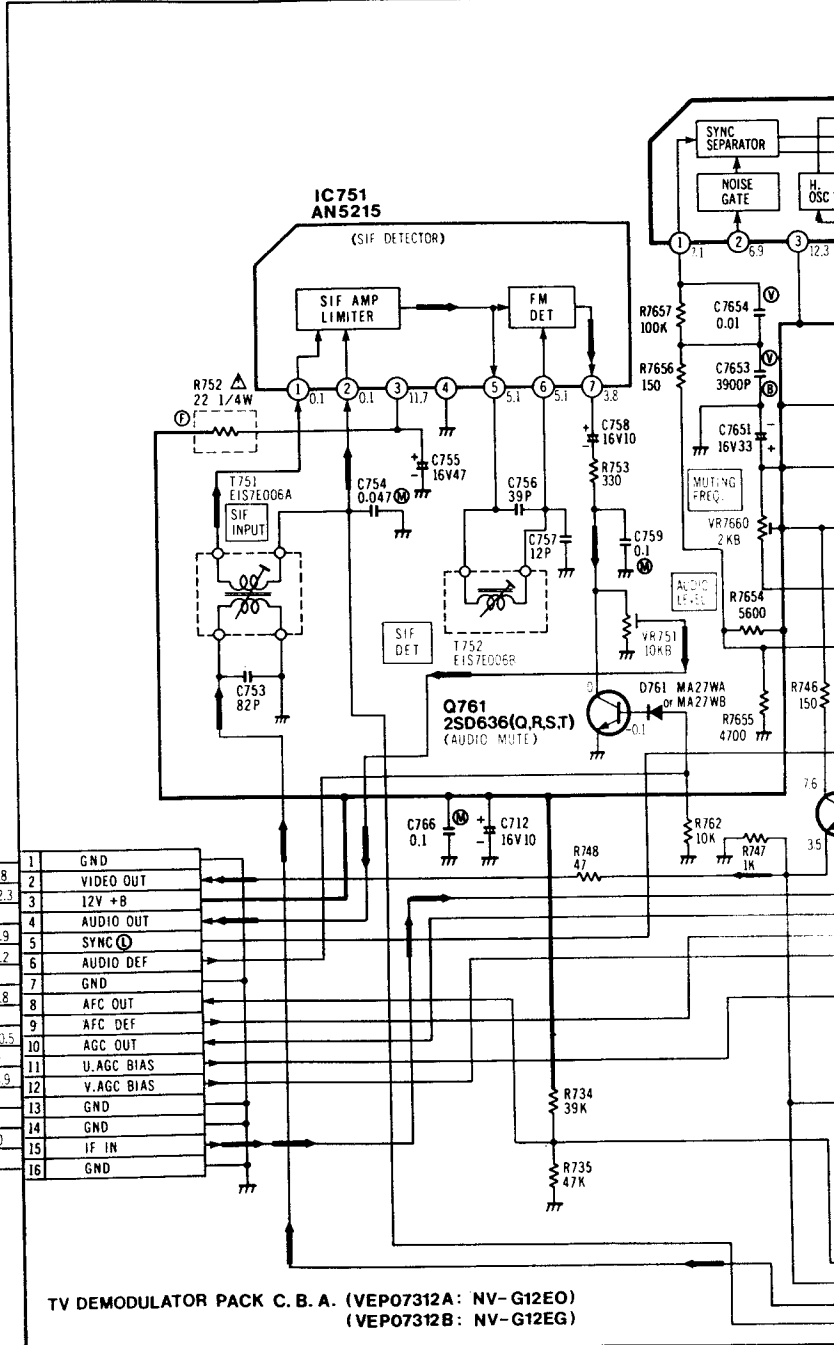
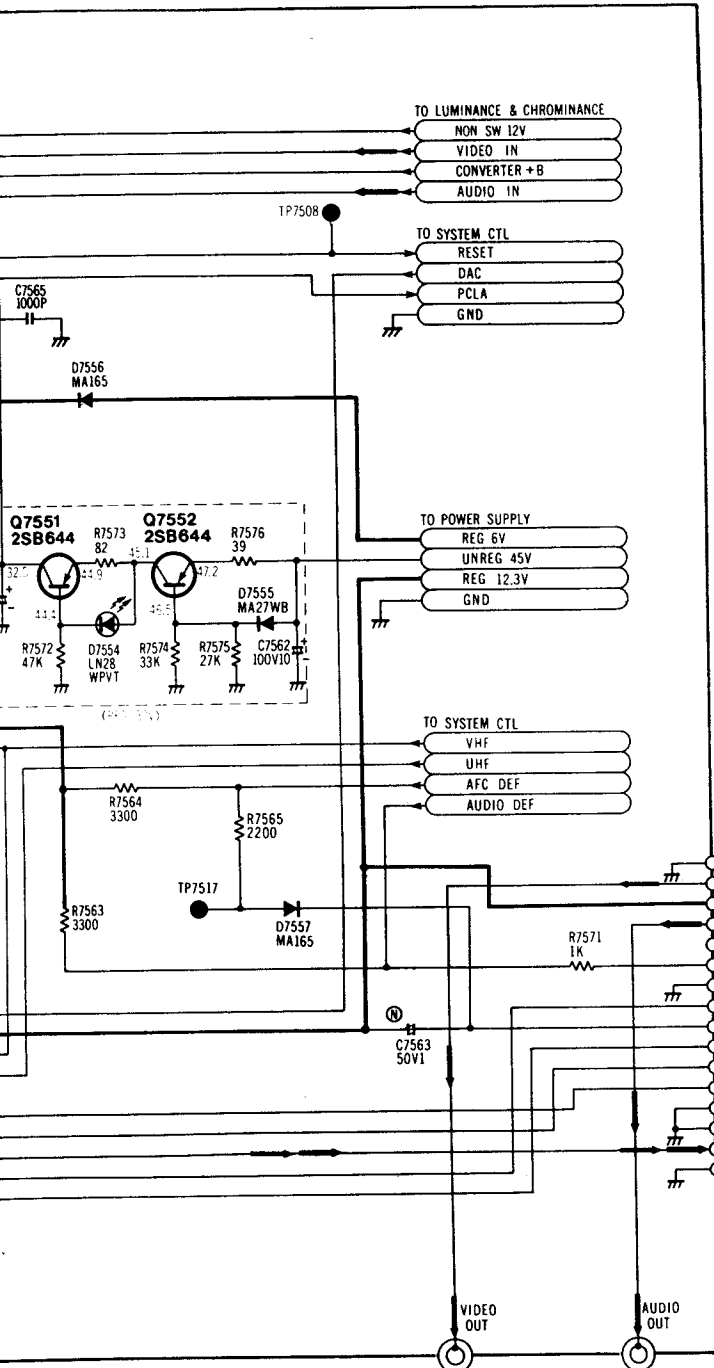


GRAM (NV-G12EG/EO)

← VIDEO SIGNAL LOOP ←

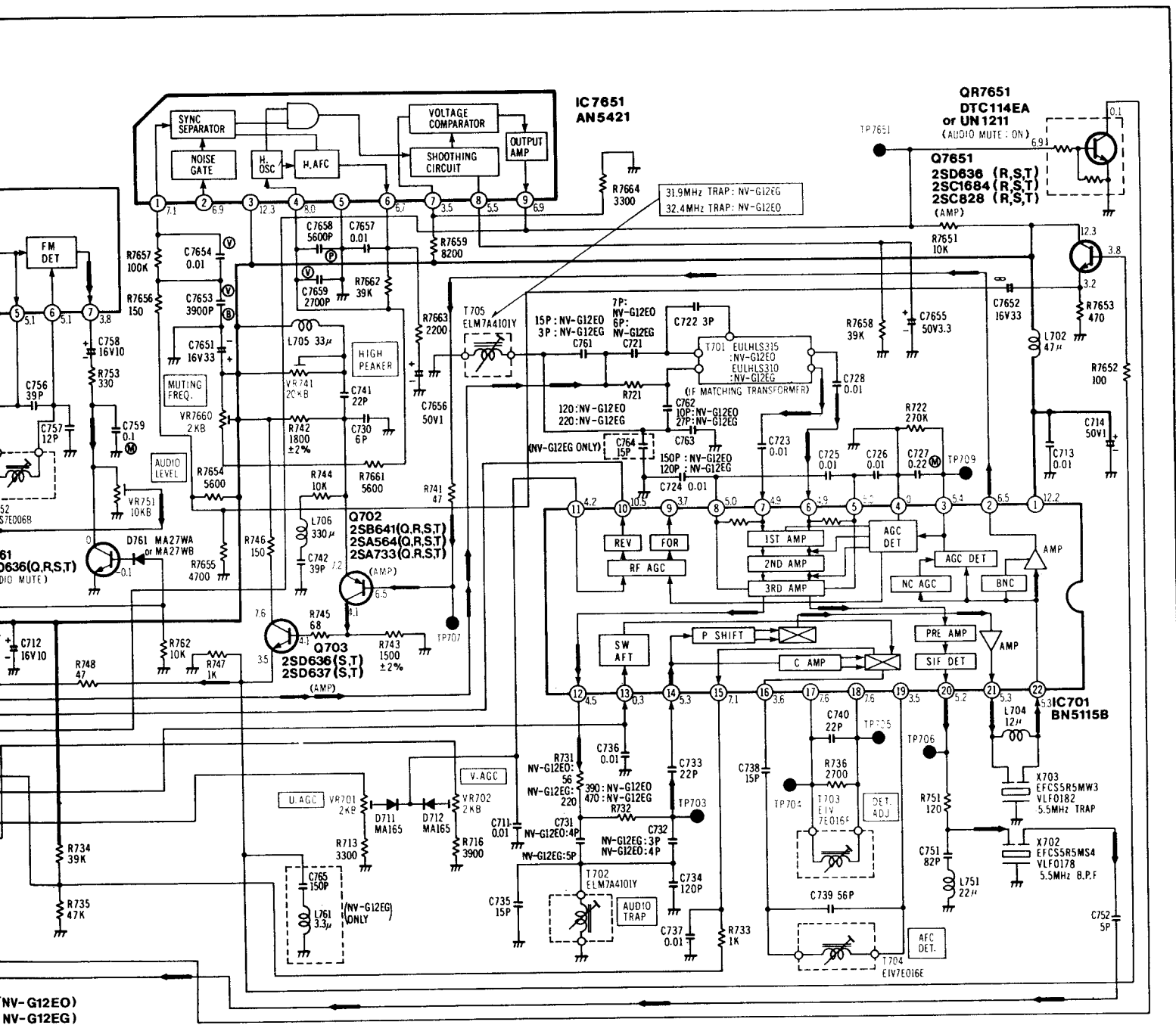


← VIDEO SIGNAL LOOP ← AUDIO SIGNAL LOOP



TV DEMODULATOR PACK C. B. A. (VEP07312A: NV-G12EO)
 (VEP07312B: NV-G12EG)

NOTE: DO NOT USE THE PART NUMBER SHOWN ON THIS DRAWING FOR ORIGIN IN THE PARTS LIST, AND MAY BE SLIGHTLY DIFFERENT OR AMENDED.
 NOTE: THE MEASUREMENT MODE OF THE DC VOLTAGE ON THIS DIAGRAM

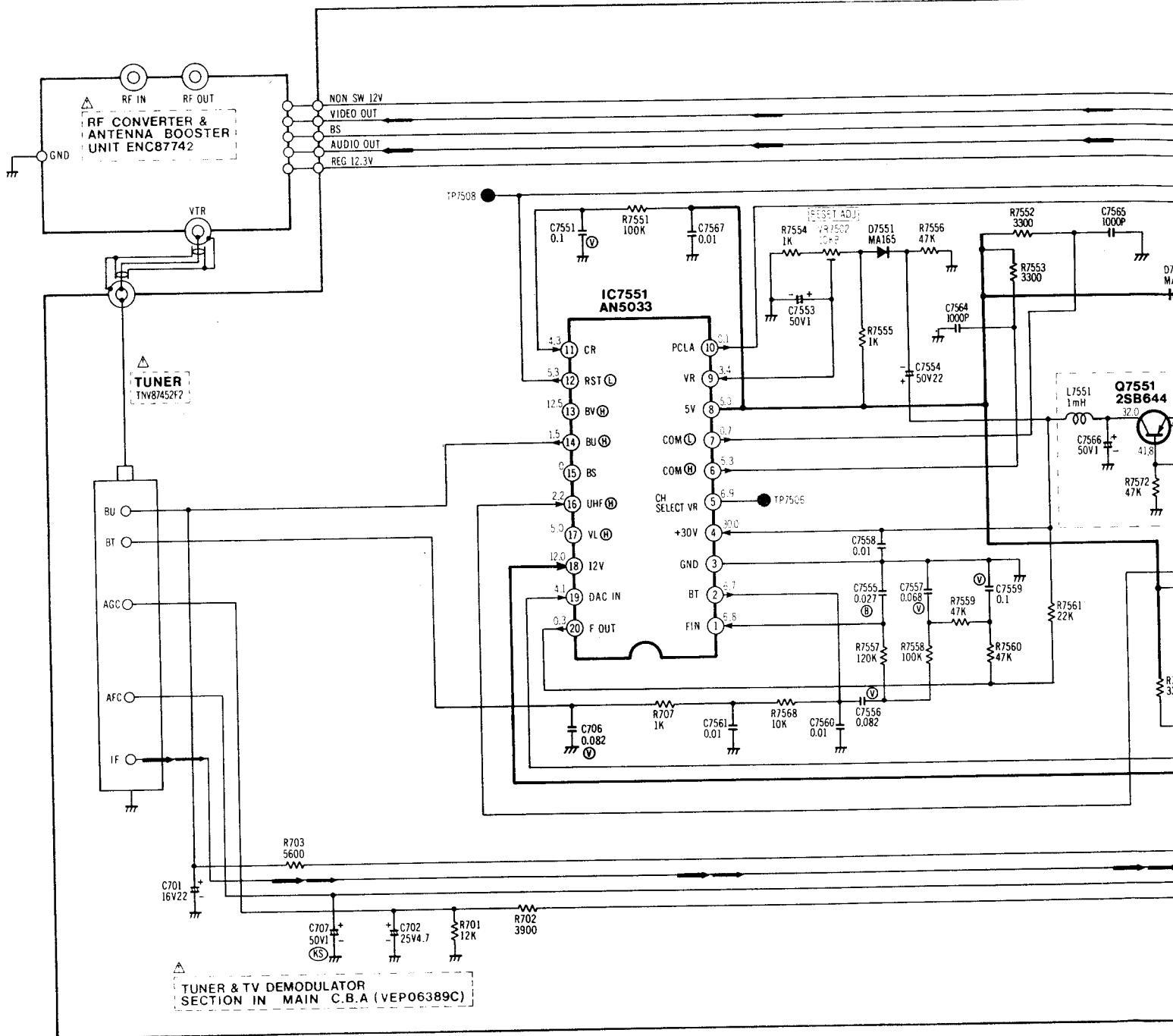


PART NUMBER SHOWN ON THIS DRAWING FOR ORDERING. THE CORRECT PART NUMBER IS SHOWN ON THE PART LIST, AND MAY BE SLIGHTLY DIFFERENT OR AMENDED SINCE THIS DRAWING WAS PREPARED.

IMPORTANT SAFETY NOTICE: COMPONENTS IDENTIFIED WITH THE MARK HAVE THE SPECIAL CHARACTERISTICS FOR SAFETY. WHEN REPLACING ANY OF THESE COMPONENTS, USE ONLY THE SAME TYPE.

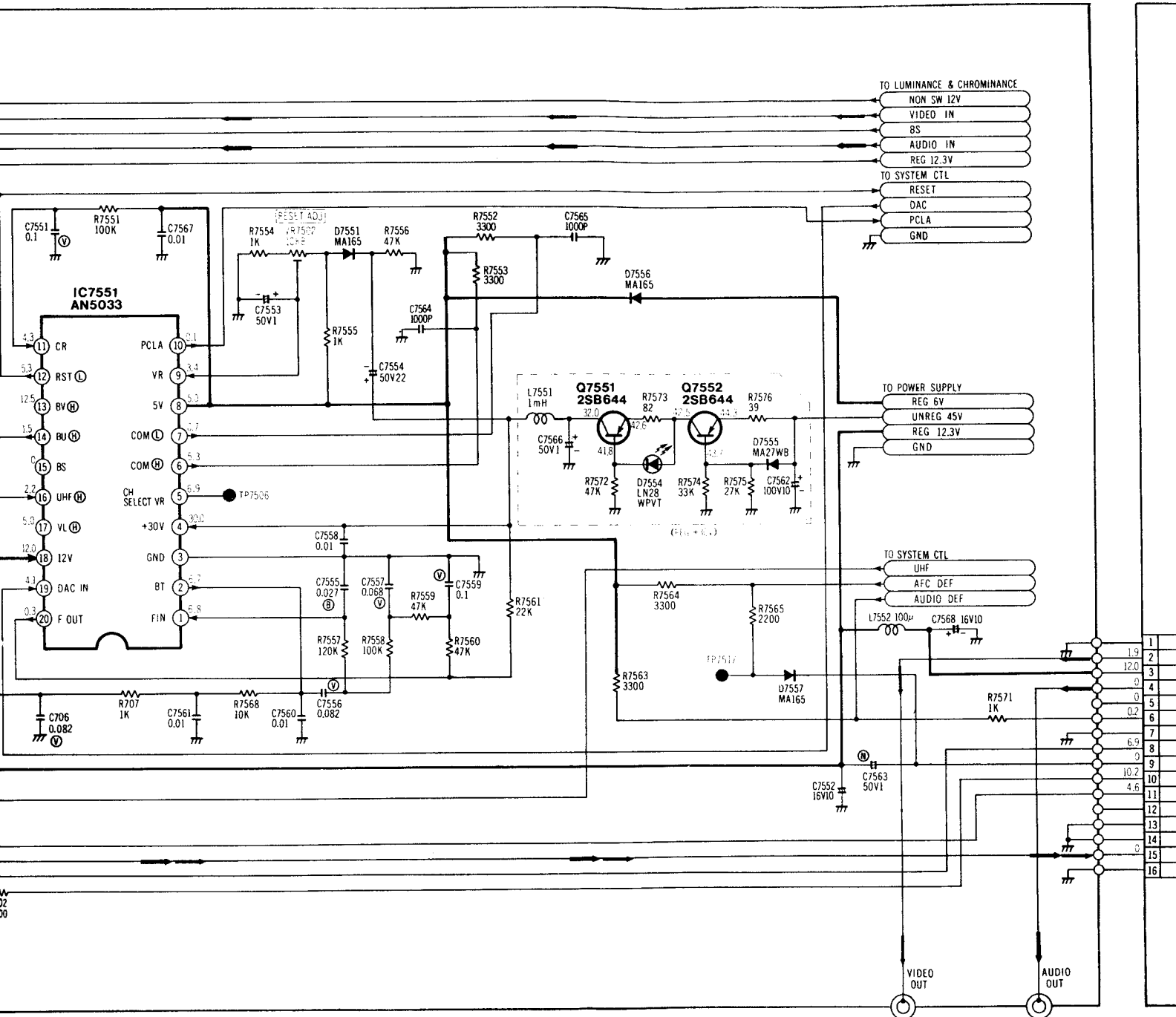
STOP MODE OF THE DC VOLTAGE ON THIS DIAGRAM IS STOP MODE.

3-35. TV DEMODULATOR PACK SCHEMATIC DIAGRAM (NV-G12B)



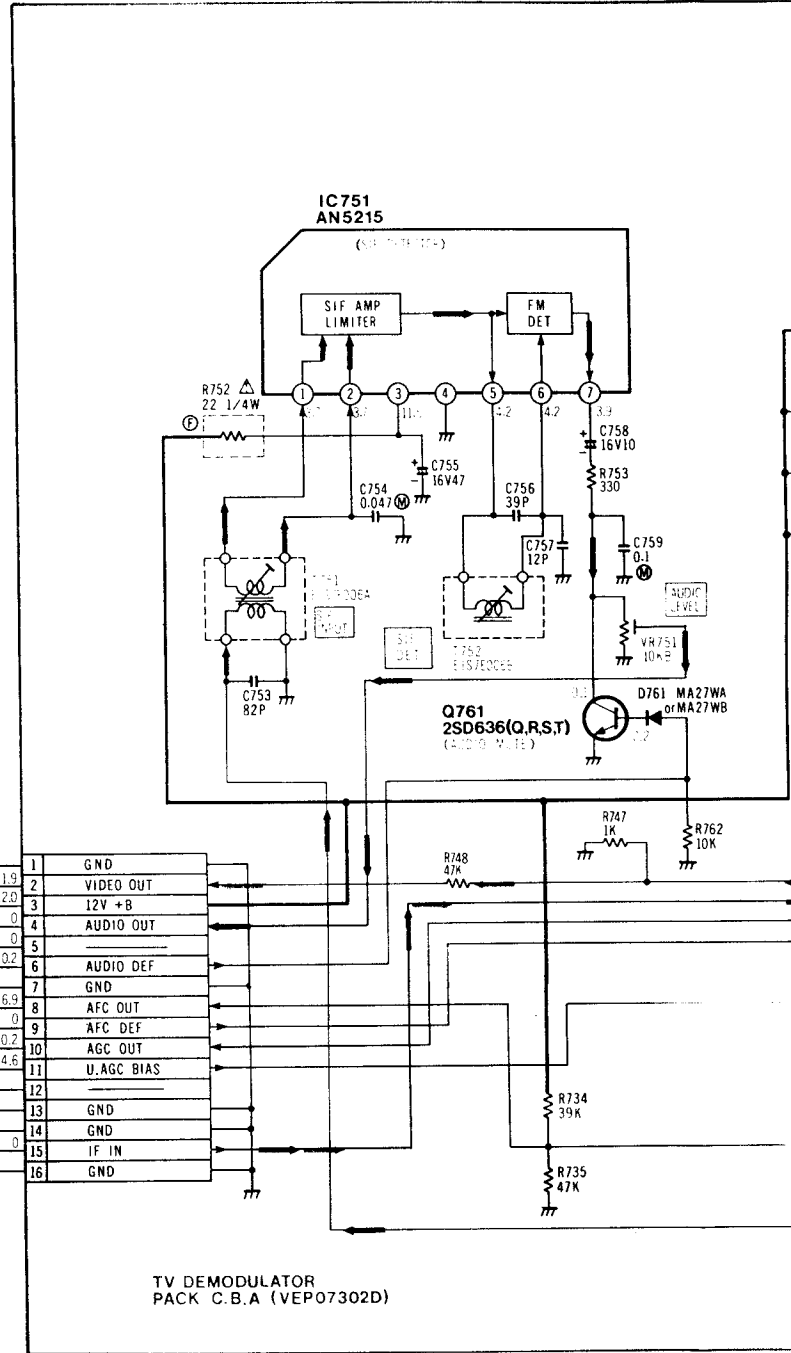
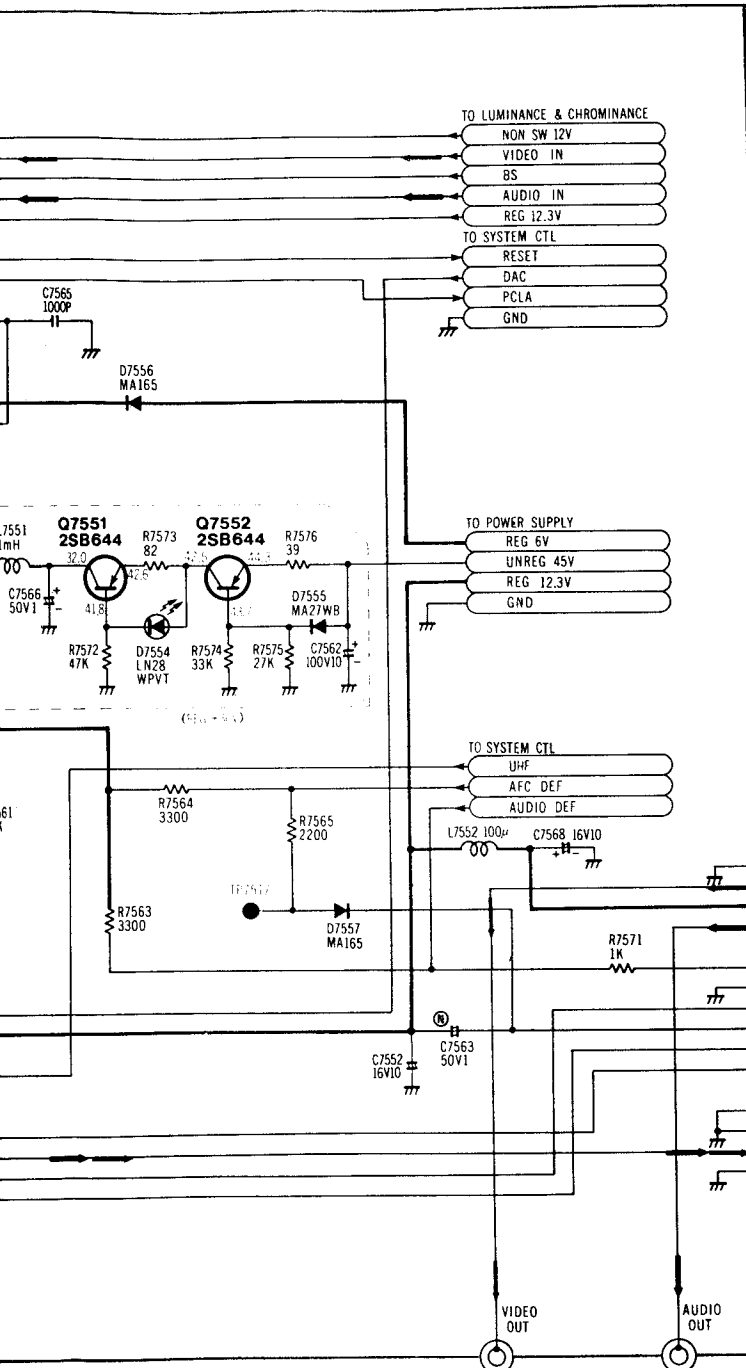
SCHEMATIC DIAGRAM (NV-G12B)

← VIDEO SIGNAL LOOP



← VIDEO SIGNAL LOOP

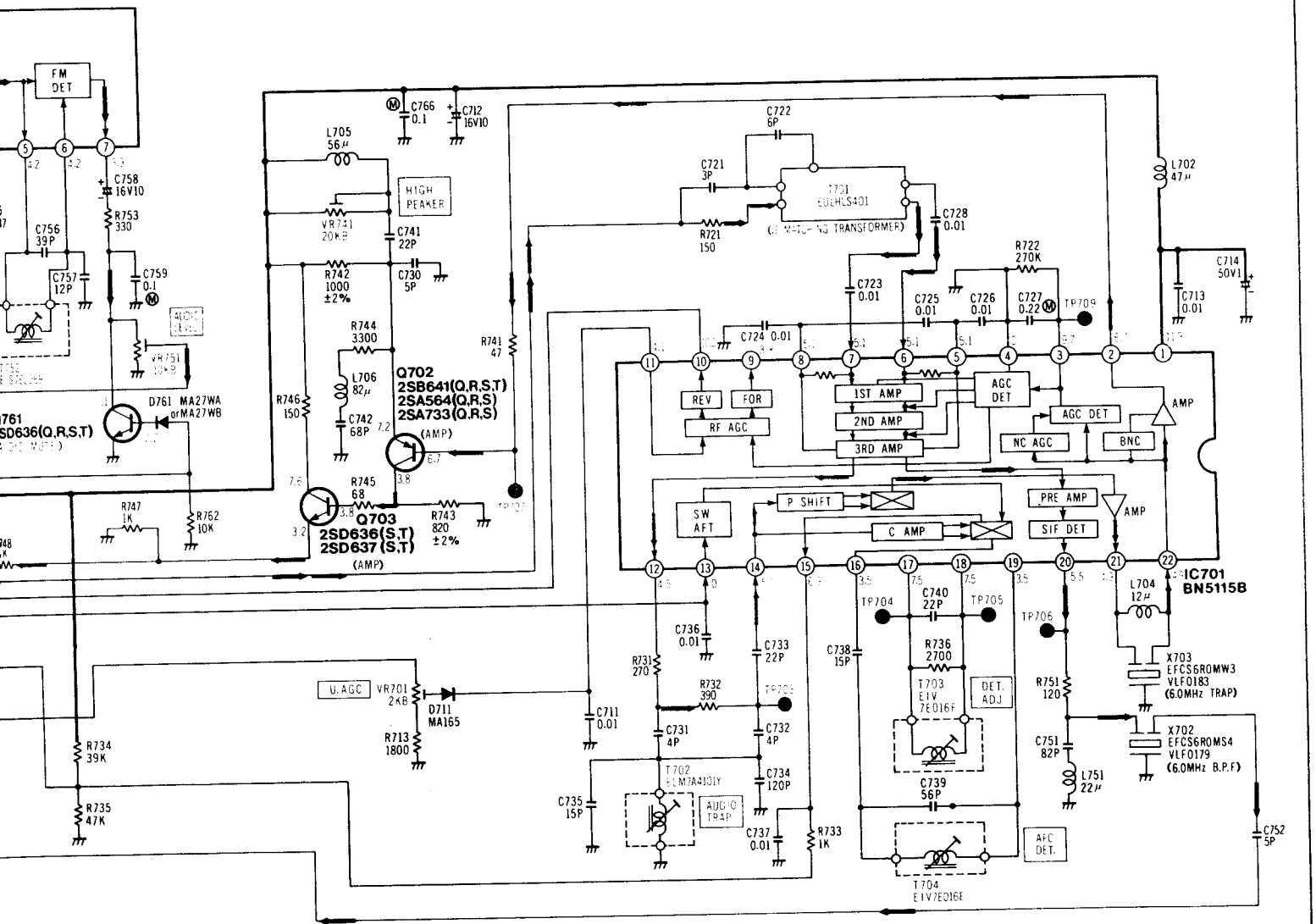
← AUDIO SIGNAL LOOP



NOTE: DO NOT USE THE PART NUMBER SHOWN ON THIS DRAWING IN THE PARTS LIST, AND MAY BE SLIGHTLY DIFFERENT

NOTE: THE MEASUREMENT MODE OF THE DC VOLTAGE ON THIS D

AUDIO SIGNAL LOOP

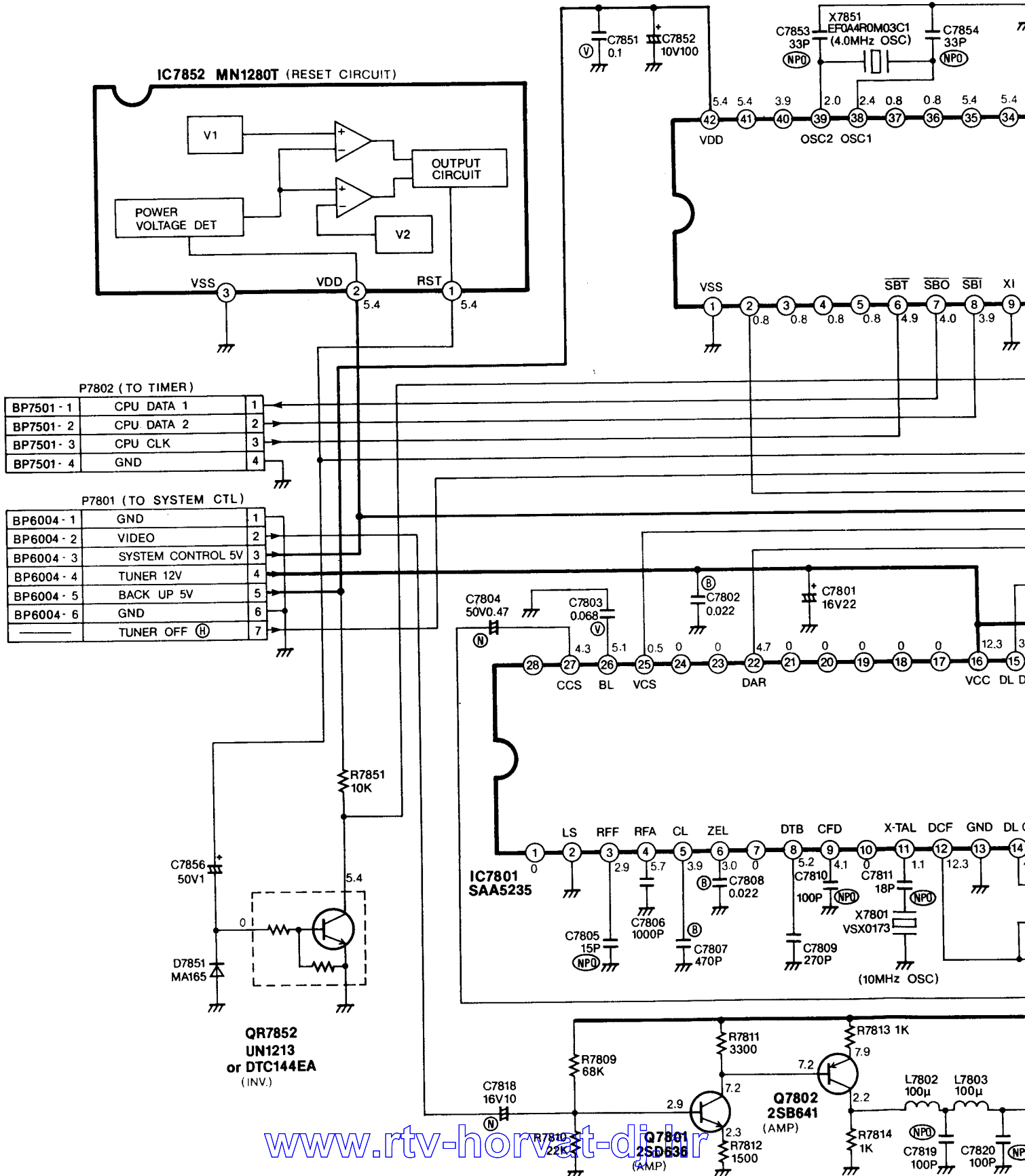


THE PART NUMBER SHOWN ON THIS DRAWING FOR ORDERING. THE CORRECT PART NUMBER IS SHOWN IN THE PARTS LIST, AND MAY BE SLIGHTLY DIFFERENT OR AMENDED SINCE THIS DRAWING WAS PREPARED.

OPERATION MODE OF THE DC VOLTAGE ON THIS DIAGRAM IS STOP MODE.

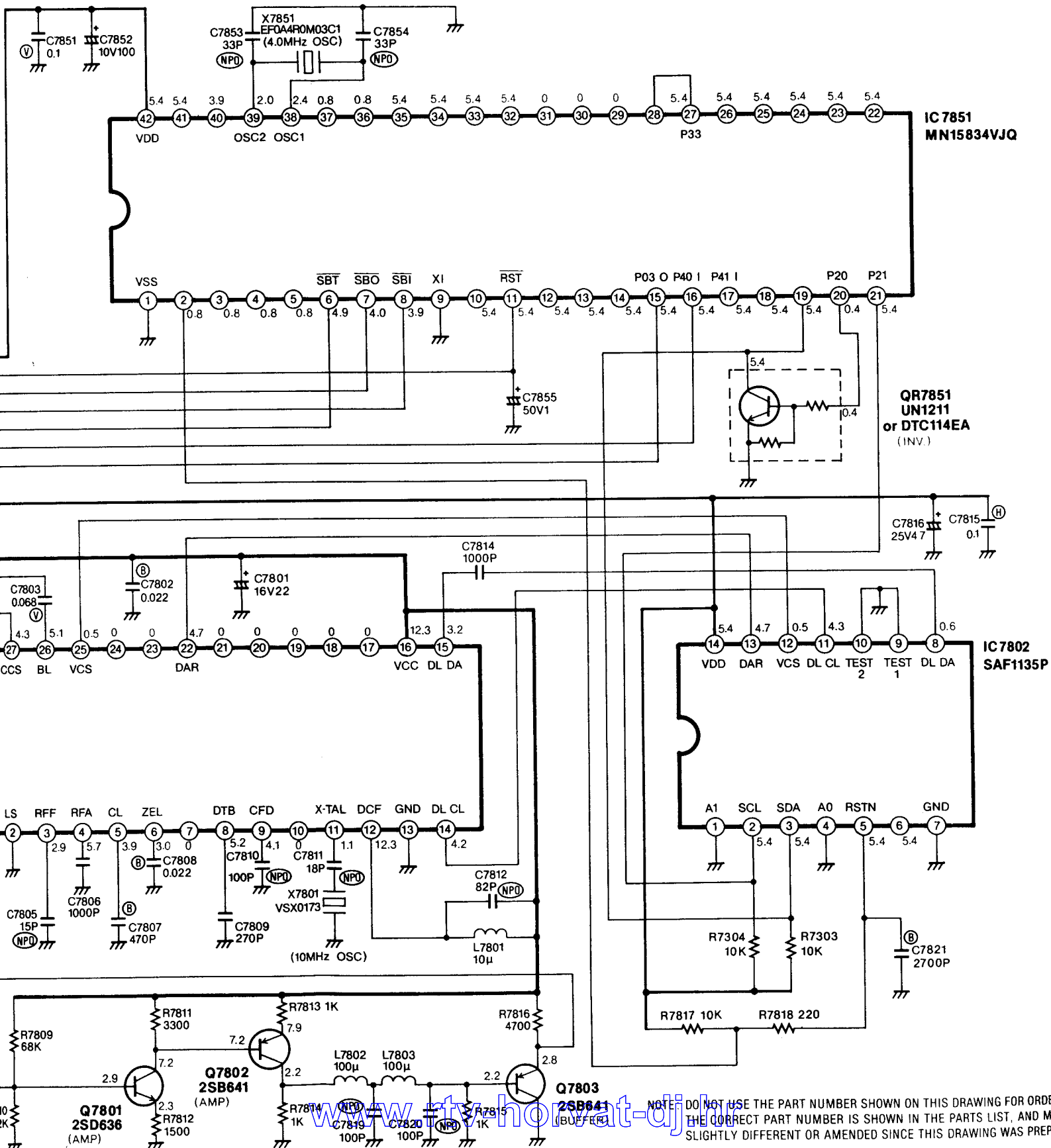
IMPORTANT SAFETY NOTICE: COMPONENTS IDENTIFIED WITH THE MARK Δ HAVE THE SPECIAL CHARACTERISTICS FOR SAFETY. WHEN REPLACING ANY OF THESE COMPONENTS, USE ONLY THE SAME TYPE.

3-36. VPS (VW-VPS1: OPTION) SCHEMATIC DIAGRAM (NV-G12EG/EO)



NOTE: THE MEASUREMENT MADE OF THE DC VOLTAGE IN THE BRACKETS () ON THIS DIAGRAM IS REFC

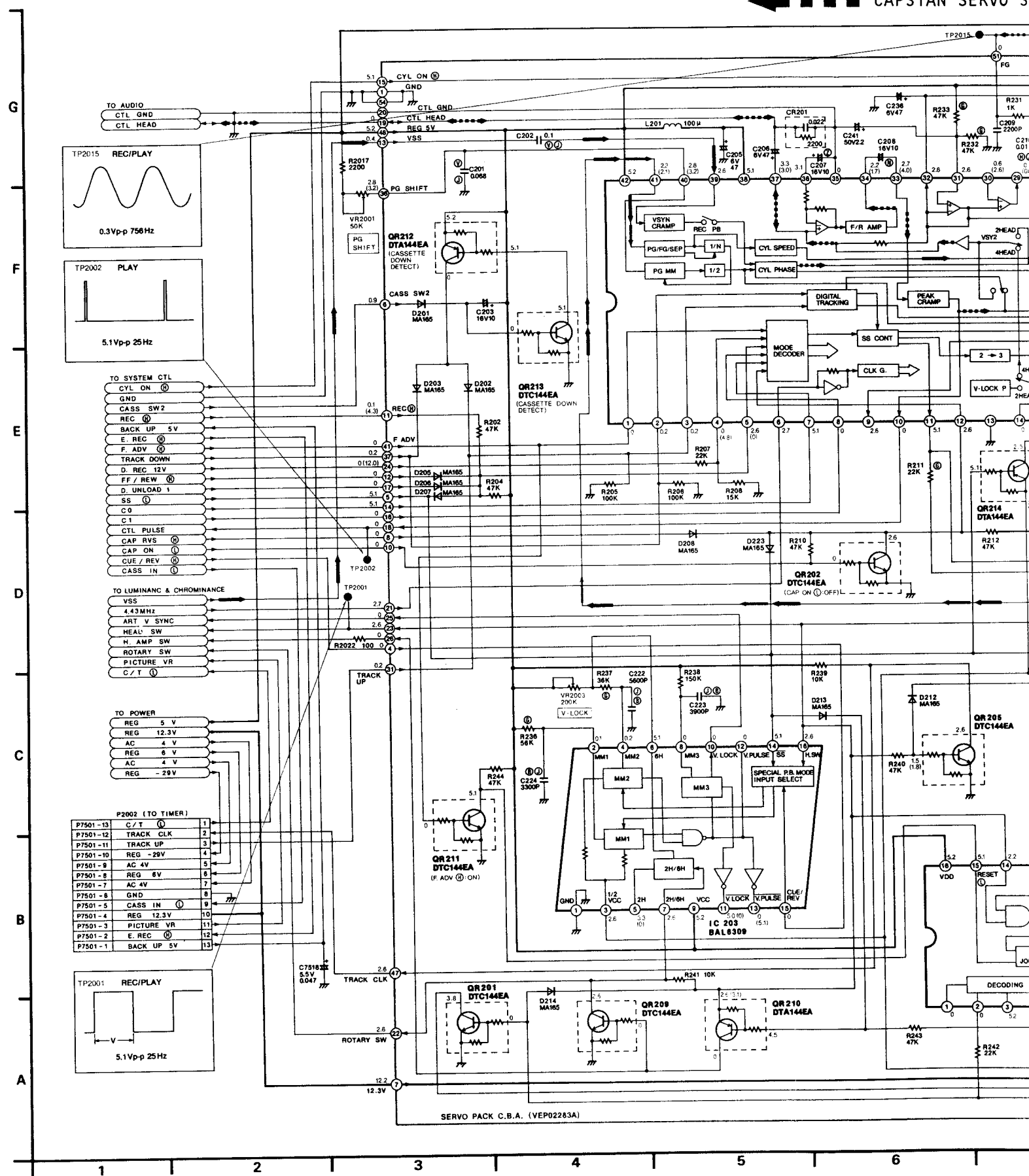
C DIAGRAM (NV-G12EG/EO)


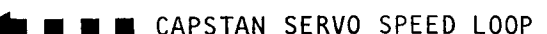




NOTE: DO NOT USE THE PART NUMBER SHOWN ON THIS DRAWING FOR ORDER. THE CORRECT PART NUMBER IS SHOWN IN THE PARTS LIST, AND MAY BE SLIGHTLY DIFFERENT OR AMENDED SINCE THIS DRAWING WAS PREPARED. ON THIS DIAGRAM IS RECORD MORE. THE MEASUREMENT MODE OF THE DC VOLTAGE OUT OF THE BRACKETS ON THIS DIAGRAM IS PLAYBACK.

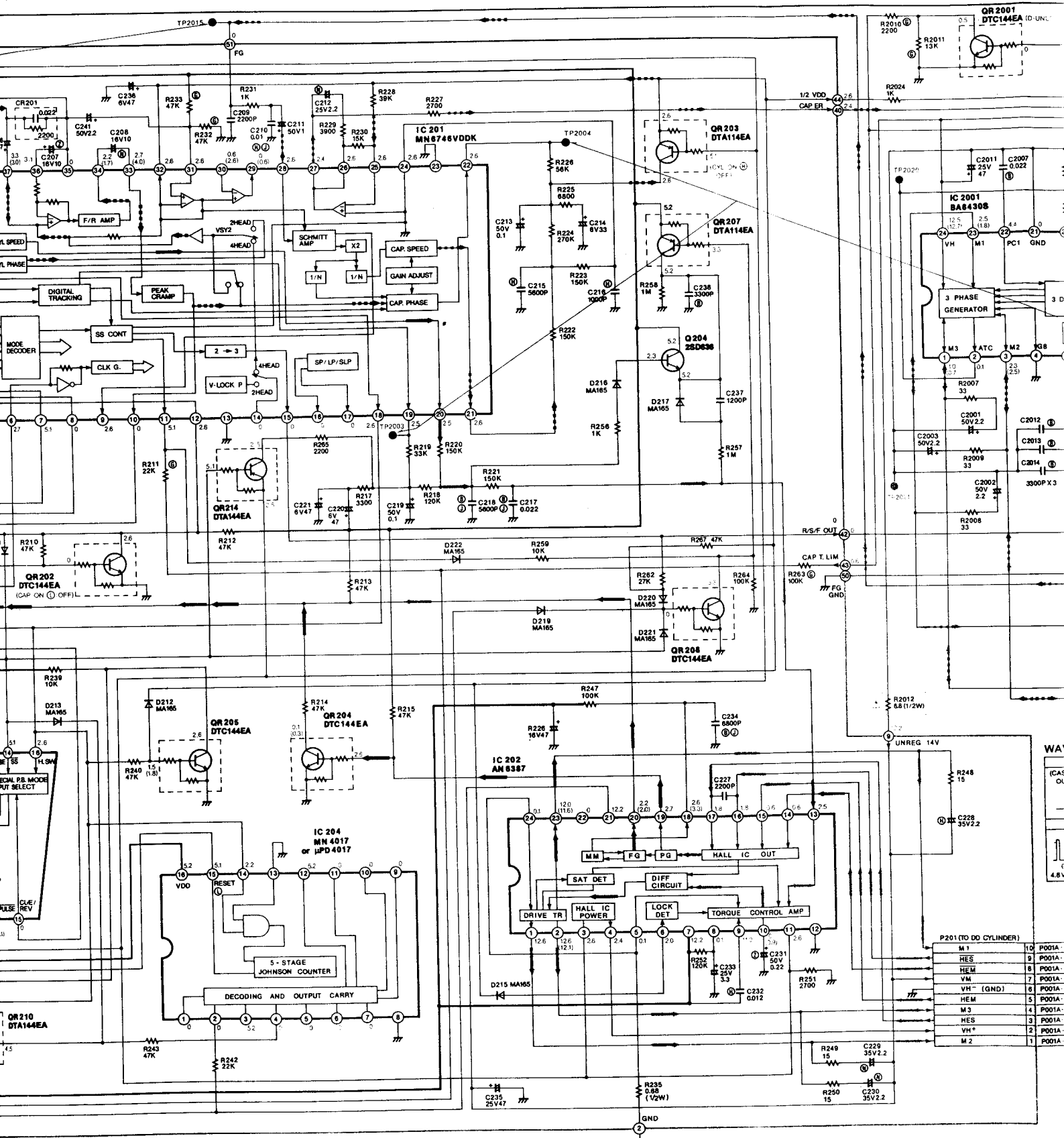
3-13. SERVO SCHEMATIC DIAGRAM

← CYLINDER SERVO
 ← ■ ■ ■ ■ ■ CAPSTAN SERVO

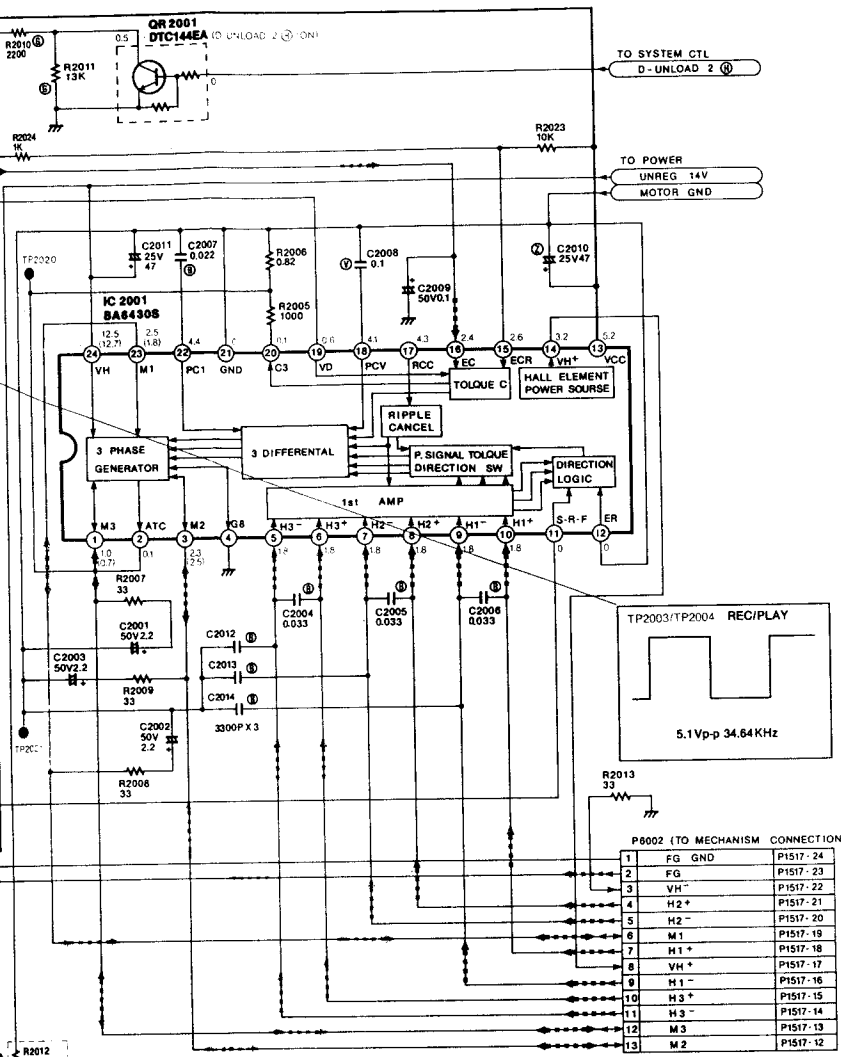


 CYLINDER SERVO SPEED LOOP
 CAPSTAN SERVO SPEED LOOP

 CYLINDER SERVO PHASE LOOP
 CAPSTAN SERVO PHASE LOOP

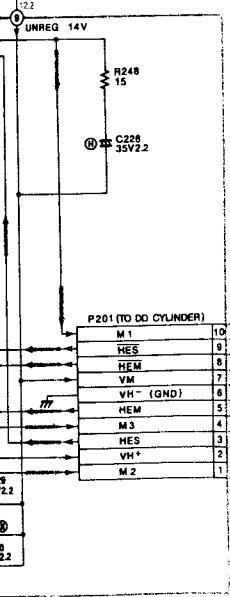


P201 (TO DO CYLINDER)	
M 1	10 P001A
HES	9 P001A
HEM	8 P001A
VM	7 P001A
VM - (GND)	6 P001A
HES	5 P001A
M 3	4 P001A
HES	3 P001A
VH +	2 P001A
M 2	1 P001A

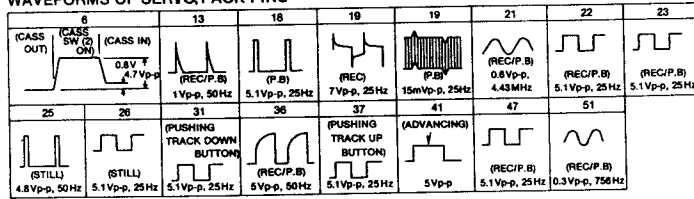


SERVO SCHEMATIC	
Transistor	
Q204	E-9
Transistor & Resistor	
QR201	A-3
QR202	D-6
QR203	G-10
QR204	C-7
QR205	C-7
QR207	F-10
QR208	D-9
QR209	A-4
QR210	A-5
QR211	B-3
QR212	F-3
QR213	E-4
QR214	E-7
QR2001	G-11
Integrated Circuit	
IC201	G-8
IC202	C-8
IC203	B-5
IC204	B-7
IC2001	F-11
Test Point	
TP2001	D-3
TP2002	D-3
TP2003	E-8
TP2004	G-9
TP2015	G-7
TP2020	F-11
TP2021	D-11
Adjustment	
VR2001	F-3
VR2003	C-4
Connector	
P201	B-11
P2002	C-1
P6002	D-13

ADDRESS INFORMATION



WAVEFORMS OF SERVO PACK PINS



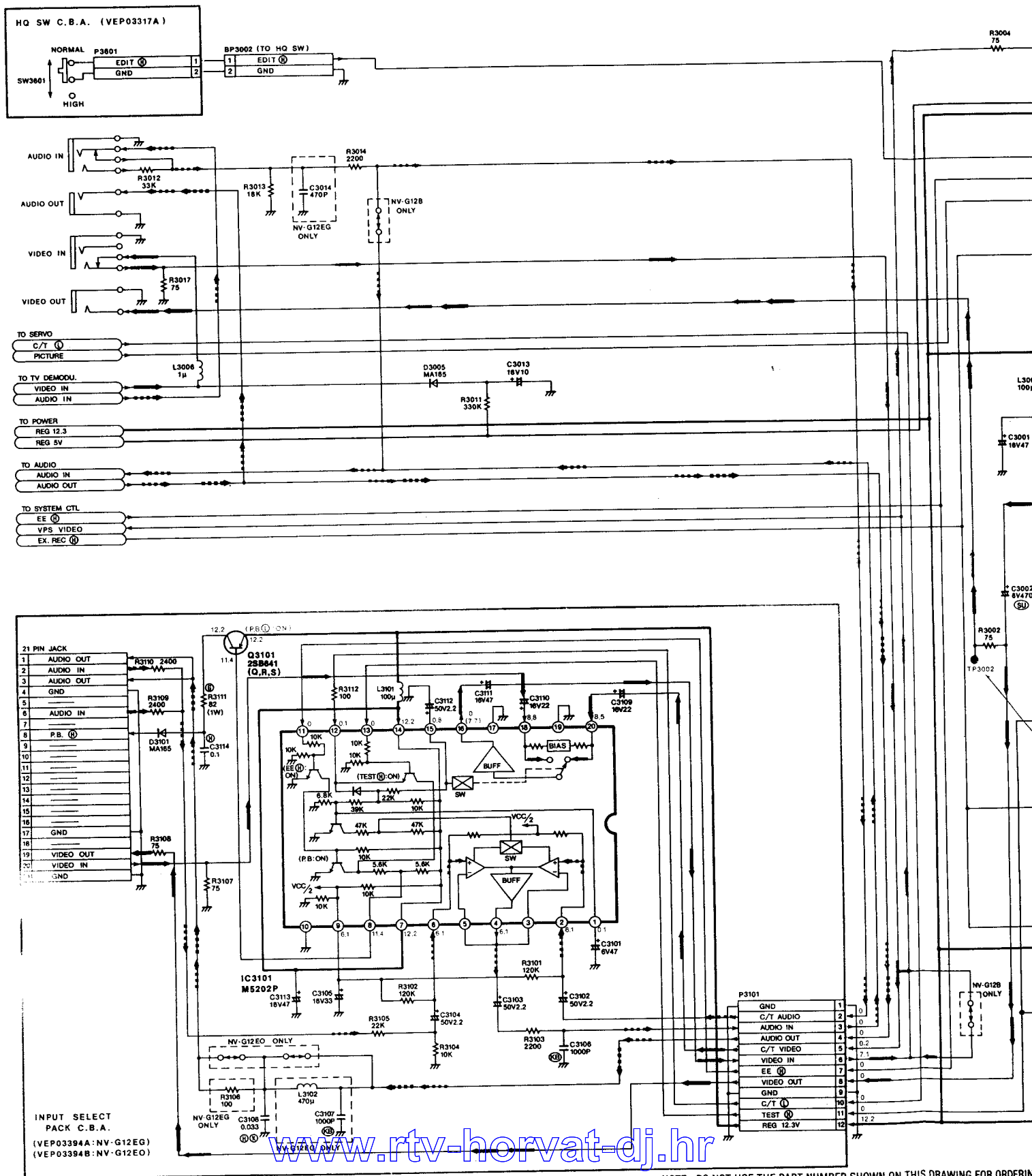
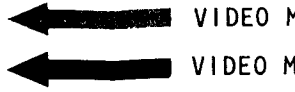
IMPORTANT SAFETY NOTICE:
COMPONENTS IDENTIFIED WITH THE MARK Δ HAVE THE SPECIAL CHARACTERISTICS FOR SAFETY. WHEN REPLACING ANY OF THESE COMPONENTS, USE ONLY THE SAME TYPE.

NOTE: THE MEASUREMENT MODE OF THE DC VOLTAGE IN THE BRACKETS () ON THIS DIAGRAM IS RECORD MODE WITH PAL COLOUR SIGNAL. THE MEASUREMENT MODE OF THE DC VOLTAGE OUT OF THE BRACKETS ON THIS DIAGRAM IS PLAYBACK MODE WITH PAL COLOUR

NOTE: DO NOT USE THE PART NUMBER SHOWN ON THIS DRAWING FOR ORDERING. THE CORRECT PART NUMBER IS SHOWN IN THE PARTS LIST, AND MAY BE SLIGHTLY DIFFERENT OR AMENDED SINCE THIS DRAWING WAS PREPARED.

11 | 12 | 13 | 14

3-14. LUMINANCE & CHROMINANCE SCHEMATIC DIAGRAM



NOTE: THE MEASUREMENT MODE OF THE DC VOLTAGE IN THE BRACKETS () ON THIS DIAGRAM IS RECORD MODE WITH THE CAMERA AT THE COLOUR CHART

NOTE: DO NOT USE THE PART NUMBER SHOWN ON THIS DRAWING FOR ORDERING THE CORRECT PART NUMBER IS SHOWN IN THE PARTS LIST, AND MAY BE DIFFERENT FROM THIS DRAWING

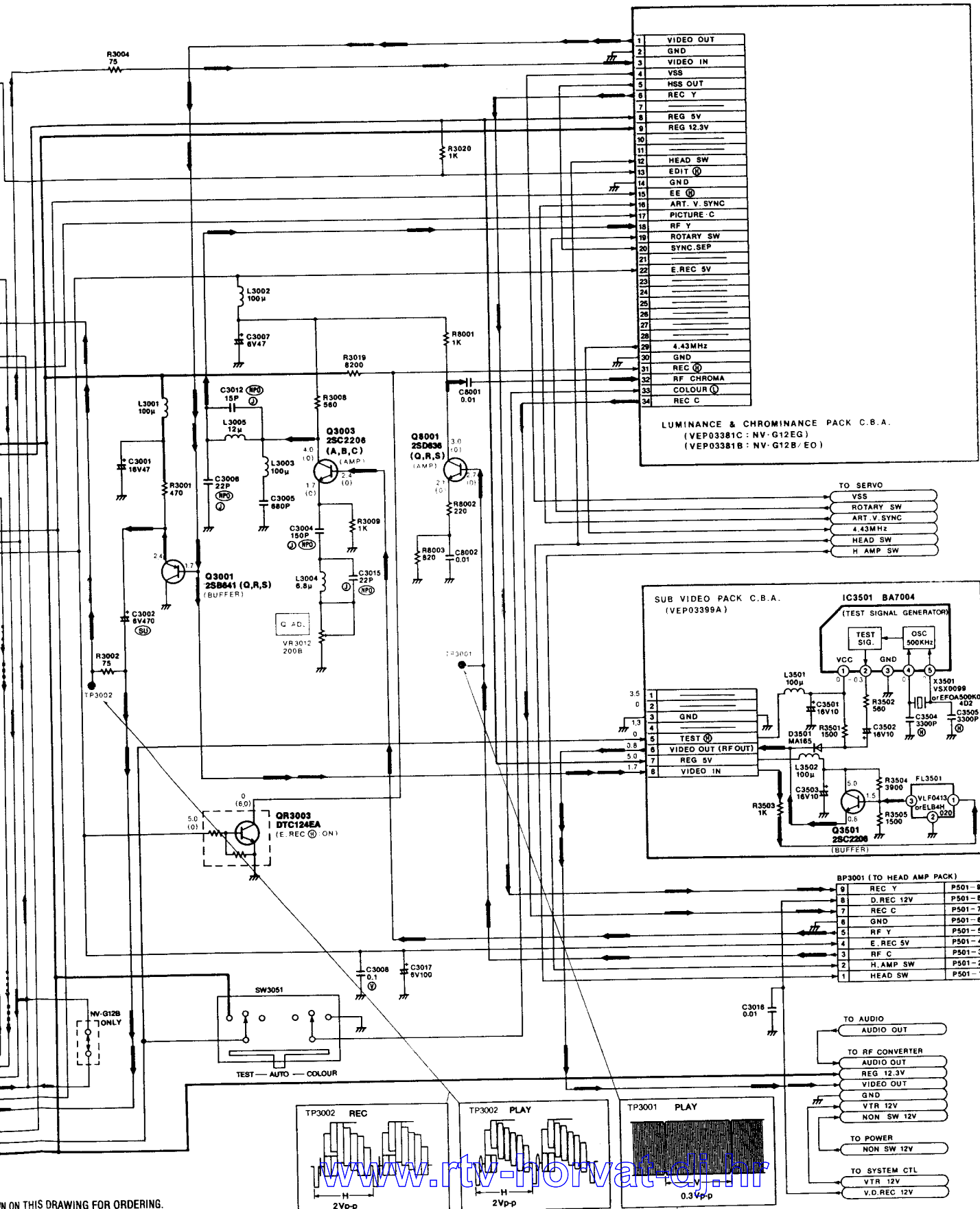
www.rtv-horvat-dj.hr

VIDEO MAIN SIGNAL PATH IN REC MODE

AUDIO MAIN SIGNAL PATH IN REC MODE

VIDEO MAIN SIGNAL PATH IN PLAYBACK MODE

AUDIO MAIN SIGNAL PATH IN PLAYBACK MODE

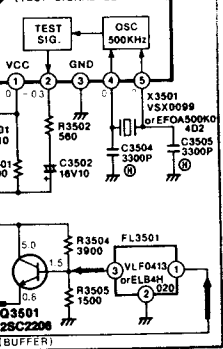


1	VIDEO OUT
2	GND
3	VIDEO IN
4	VSS
5	HSS OUT
6	REC Y
7	
8	REG 5V
9	REG 12.3V
10	
11	
12	HEAD SW
13	EDIT
14	GND
15	EE
16	ART. V. SYNC
17	PICTURE C
18	RF Y
19	ROTARY SW
20	SYNC.SEP
21	
22	E.REC 5V
23	
24	
25	
26	
27	
28	
29	4.43MHz
30	GND
31	REC
32	RF CHROMA
33	COLOUR
34	REC C

LUMINANCE & CHROMINANCE PACK C.B.A.
(VEP03381C : NV-G12EQ)
(VEP03381B : NV-G12B/EO)

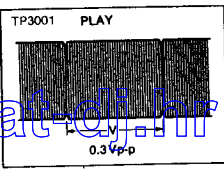
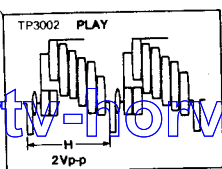
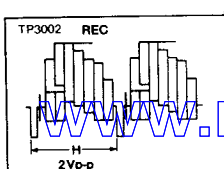
SUB VIDEO PACK C.B.A.
(VEP03399A)

IC3501 BA7004
(TEST SIGNAL GENERATOR)



9	REC Y	P501-9
8	D.REC 12V	P501-8
7	REC C	P501-7
6	GND	P501-6
5	RF Y	P501-5
4	E.REC 5V	P501-4
3	RF C	P501-3
2	H.AMP SW	P501-2
1	HEAD SW	P501-1

- TO AUDIO AUDIO OUT
- TO RF CONVERTER AUDIO OUT
- REG 12.3V
- VIDEO OUT
- GND
- VTR 12V
- NON SW 12V
- TO POWER NON SW 12V
- TO SYSTEM CTL VTR 12V
- V.D.REC 12V



ON THIS DRAWING FOR ORDERING.
IN THE PARTS LIST, AND MAY BE

